

# Pipe system and point of use

## Technical data sheets



# Socket system 15-28 mm

Laid, extended and modified in an instant



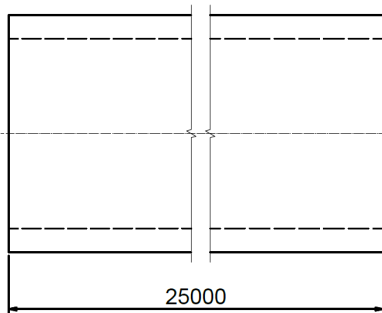
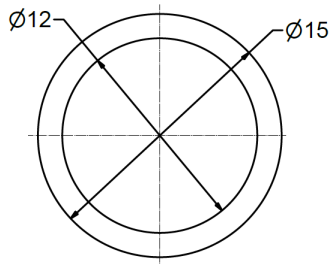
For small and medium-sized workshops: Lay pipelines quickly and easily with a few hand movements with the AIRnet pipe system and extend or modify existing pipelines – the flexible plug-in system offers a wide selection of different connectors.

# PA Pipe D15 25m



- Polyamide (PA) for greater flexibility
- Pipe shears cut pipelines to length in a single cut

- Free of silicone



## Specifications

<b>Outer diameter</b>	15 mm
<b>Inner diameter</b>	12 mm
<b>Max. Pressure</b>	14 bar -20°C – 20°C / 11bar +20°C – 50°C
<b>Packeging unit</b>	1 pcs.

## Ordering Information

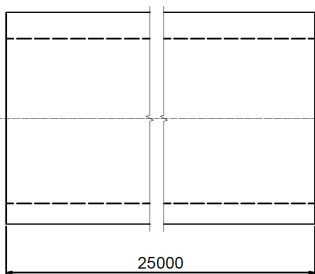
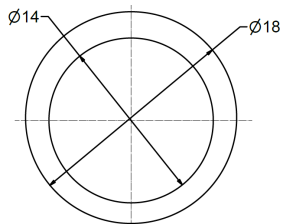
Ordering Information	Weight KG	Dimension mm
2813 1100 00	1,635	25000x15x15

# PA Pipe D18 25m



- Polyamide (PA) for greater flexibility
- Pipe shears cut pipelines to length in a single cut

- Free of silicone



## Specifications

<b>Outer diameter</b>	18 mm
<b>Inner diameter</b>	14 mm
<b>Max. Pressure</b>	14 bar -20°C – 20°C / 11bar +20°C – 50°C
<b>Packeging unit</b>	1 pcs.

## Ordering Information

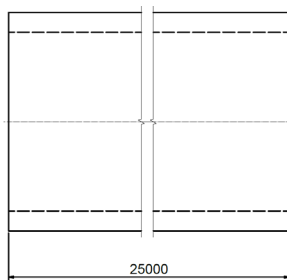
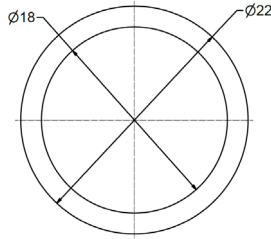
Ordering Information	Weight KG	Dimension mm
2813 2100 00	2,540	25000x18x18

# PA Pipe D22 25m



- Polyamide (PA) for greater flexibility
- Pipe shears cut pipelines to length in a single cut

- Free of silicone



## Specifications

<b>Outer diameter</b>	22 mm
<b>Inner diameter</b>	18 mm
<b>Max. Pressure</b>	14 bar -20°C – 20°C / 11bar +20°C – 50°C
<b>Packeging unit</b>	1 pcs.

## Ordering Information

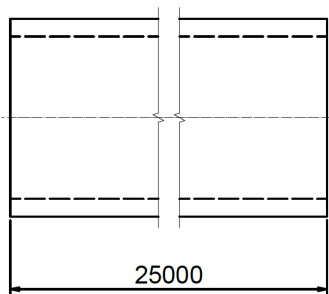
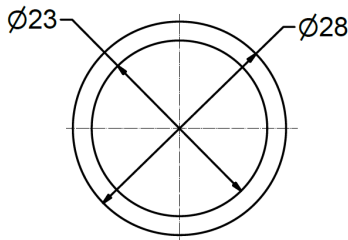
Ordering Information	Weight KG	Dimension mm
2813 3100 00	3,233	25000x22x22

# PA Pipe D28 25m



- Polyamide (PA) for greater flexibility
- Pipe shears cut pipelines to length in a single cut

- Free of silicone



## Specifications

Outer diameter	28 mm
Inner diameter	23 mm
Max. Pressure	14 bar -20°C – 20°C / 11bar +20°C – 50°C
Packeging unit	1 pcs.

## Ordering Information

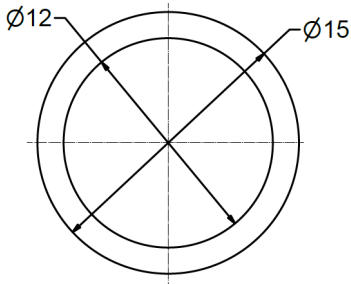
Ordering Information	Weight KG	Dimension mm
2813 4100 00	4,940	25000x28x28

# PA Pipe D15 5,7m



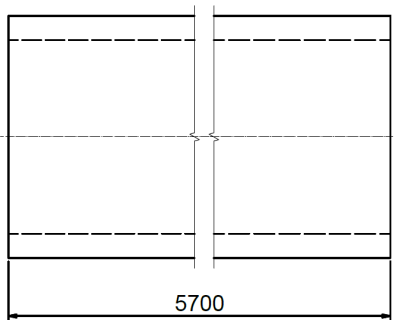
- Polyamide (PA) for greater flexibility
- Pipe shears cut pipelines to length in a single cut

- Free of silicone



## Specifications

<b>Outer diameter</b>	15 mm
<b>Inner diameter</b>	12 mm
<b>Max. Pressure</b>	16 bar -20°C – 20°C / 11bar +20°C – 50°C
<b>Packeging unit</b>	2 pcs.



## Ordering Information

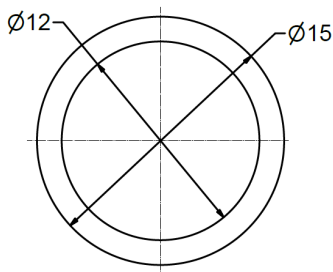
Ordering Information	Weight KG	Dimension mm
2813 1000 00	0,540	5700x15x15

## PA Pipe D15 10m



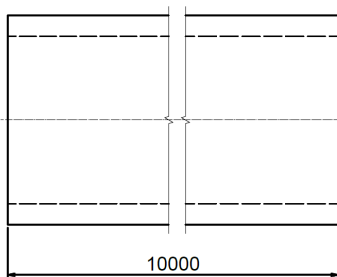
- Polyamide (PA) for greater flexibility
- Pipe shears cut pipelines to length in a single cut

- Free of silicone



### Specifications

<b>Outer diameter</b>	15 mm
<b>Inner diameter</b>	12 mm
<b>Max. Pressure</b>	14 bar -20°C – 20°C / 11bar +20°C – 50°C
<b>Packeging unit</b>	1 pcs.



### Ordering Information

Ordering Information	Weight KG	Dimension mm
2813 1200 00	0,658	10000x15x15

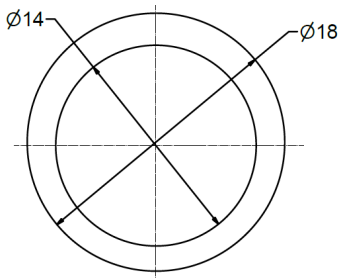


# PA Pipe D18 5,7m



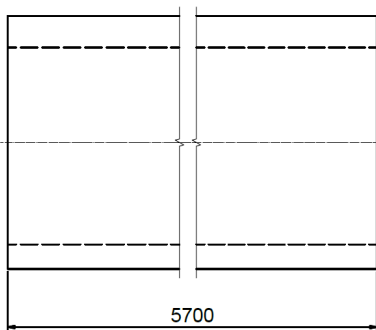
- Polyamide (PA) for greater flexibility
- Pipe shears cut pipelines to length in a single cut

- Free of silicone



## Specifications

<b>Outer diameter</b>	18 mm
<b>Inner diameter</b>	14 mm
<b>Max. Pressure</b>	16 bar -20°C – 20°C / 11bar +20°C – 50°C
<b>Packeging unit</b>	1 pcs.



## Ordering Information

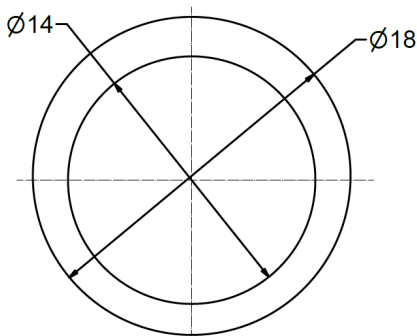
Ordering Information	Weight KG	Dimension mm
2813 2000 00	0,58	5700x18x18

# PA Pipe D18 10m



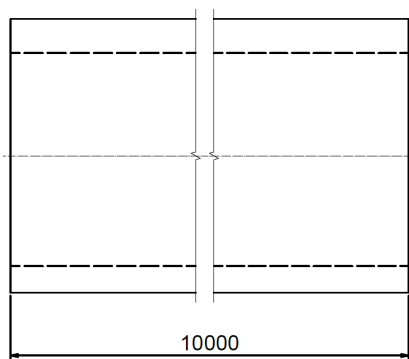
- Polyamide (PA) for greater flexibility
- Pipe shears cut pipelines to length in a single cut

- Free of silicone



## Specifications

<b>Outer diameter</b>	18 mm
<b>Inner diameter</b>	14 mm
<b>Max. Pressure</b>	14 bar -20°C – 20°C / 11bar +20°C – 50°C
<b>Packeging unit</b>	1 pcs.



## Ordering Information

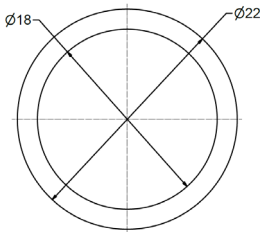
Ordering Information	Weight KG	Dimension mm
2813 2200 00	1,016	10000x18x18

# PA Pipe D22 5,7m



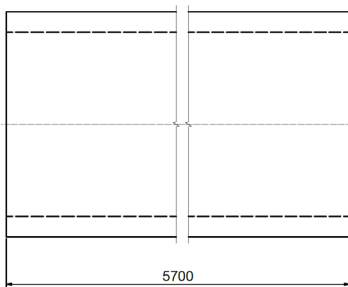
- Polyamide (PA) for greater flexibility
- Pipe shears cut pipelines to length in a single cut

- Free of silicone



## Specifications

<b>Outer diameter</b>	22 mm
<b>Inner diameter</b>	18 mm
<b>Max. Pressure</b>	16 bar -20°C – 20°C / 11bar +20°C – 50°C
<b>Packeging unit</b>	1 pcs.



## Ordering Information

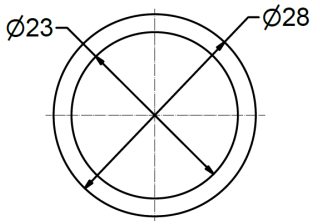
Ordering Information	Weight KG	Dimension mm
2813 3000 00	0,734	5700x22x22

# PA Pipe D28 5,7m



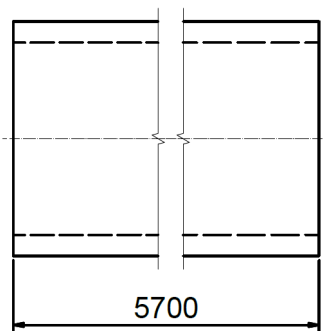
- Polyamide (PA) for greater flexibility
- Pipe shears cut pipelines to length in a single cut

- Free of silicone



## Specifications

<b>Outer diameter</b>	28 mm
<b>Inner diameter</b>	23 mm
<b>Max. Pressure</b>	16 bar -20°C – 20°C / 11bar +20°C – 50°C
<b>Packeging unit</b>	1 pcs.



## Ordering Information

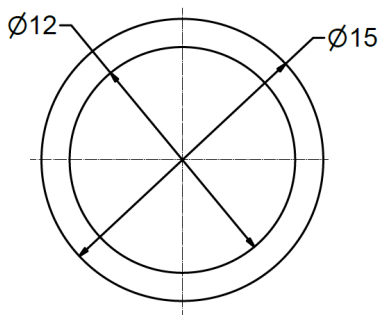
Ordering Information	Weight KG	Dimension mm
2813 4000 00	1,127	5700x22x22

# PA UV Pipe D15 25m



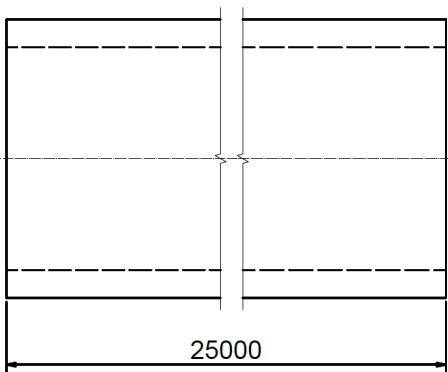
- Polyamide (PA) for greater flexibility
- Pipe shears cut pipelines to length in a single cut

- Free of silicone
- Black UV-resistant pipes, suitable for outdoor installation



## Specifications

Outer diameter	15 mm
Inner diameter	12 mm
Max. Pressure	14 bar -20°C – 20°C / 11bar +20°C – 50°C
Packeging unit	1 pcs.



## Ordering Information

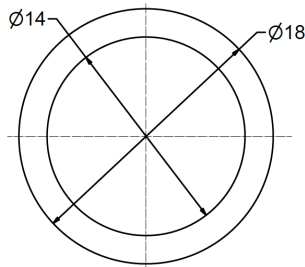
Ordering Information	Weight KG	Dimension mm
2813 1300 00	1,595	25000x15x15

# PA UV Pipe D18 25m



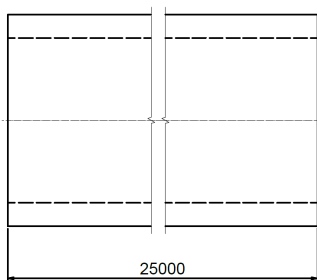
- Polyamide (PA) for greater flexibility
- Pipe shears cut pipelines to length in a single cut

- Free of silicone
- Black UV-resistant pipes, suitable for outdoor installation



## Specifications

<b>Outer diameter</b>	18 mm
<b>Inner diameter</b>	14 mm
<b>Max. Pressure</b>	14 bar -20°C – 20°C / 11bar +20°C – 50°C
<b>Packeging unit</b>	1 pcs.



## Ordering Information

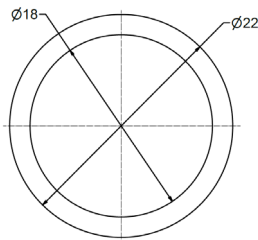
Ordering Information	Weight KG	Dimension mm
2813 2300 00	2,560	25000x18x18

# PA UV Pipe D22 25m



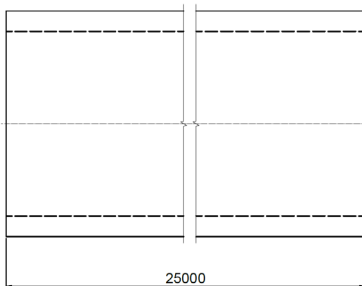
- Polyamide (PA) for greater flexibility
- Pipe shears cut pipelines to length in a single cut

- Free of silicone
- Black UV-resistant pipes, suitable for outdoor installation



## Specifications

<b>Outer diameter</b>	22 mm
<b>Inner diameter</b>	18 mm
<b>Max. Pressure</b>	14 bar -20°C – 20°C / 11bar +20°C – 50°C
<b>Packeging unit</b>	1 pcs.



## Ordering Information

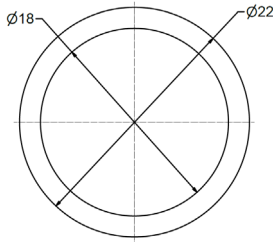
Ordering Information	Weight KG	Dimension mm
2813 3300 00	3,190	25000x22x22

# PA UV Pipe D22 5,7m



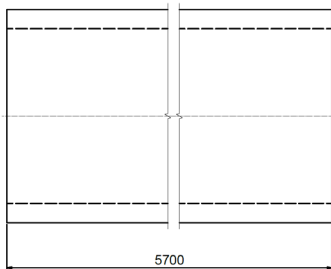
- Polyamide (PA) for greater flexibility
- Pipe shears cut pipelines to length in a single cut

- Free of silicone
- Black UV-resistant pipes, suitable for outdoor installation



## Specifications

<b>Outer diameter</b>	22 mm
<b>Inner diameter</b>	18 mm
<b>Max. Pressure</b>	16 bar -20°C – 20°C / 11bar +20°C – 50°C
<b>Packeging unit</b>	1 pcs.



## Ordering Information

Ordering Information	Weight KG	Dimension mm
2813 3200 00	0,708	5700x22x22

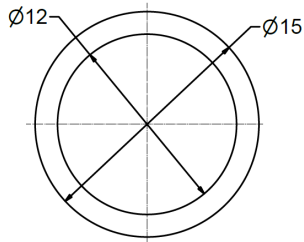


# AL Pipe D15 5,7m



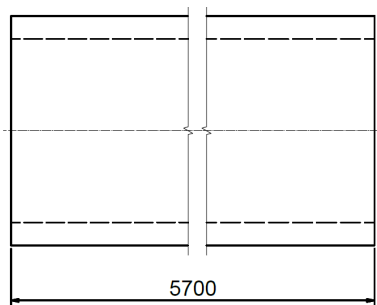
- Ideal as a main pipe as lightweight, stable and easy to lay using few pipe clips
- Low linear expansion ideal for large fluctuations in temperature
- Pipe protected by outer coating

- UV-resistant and suitable for outdoor installation
- Free of silicone



## Specifications

<b>Outer diameter</b>	15 mm
<b>Inner diameter</b>	12 mm
<b>Max. Pressure</b>	16 bar -20°C – 20°C / 16bar +20°C – 50°C
<b>Packeging unit</b>	2 pcs.



## Ordering Information

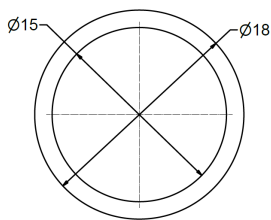
Ordering Information	Weight KG	Dimension mm
2813 1400 00	0,988	5700x15x15

# AL Pipe D18 5,7m



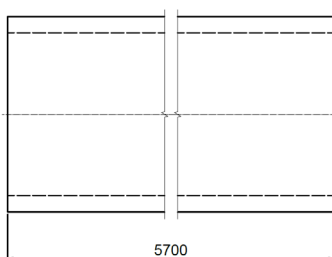
- Ideal as a main pipe as lightweight, stable and easy to lay using few pipe clips
- Low linear expansion ideal for large fluctuations in temperature
- Pipe protected by outer coating

- UV-resistant and suitable for outdoor installation
- Free of silicone



## Specifications

<b>Outer diameter</b>	18 mm
<b>Inner diameter</b>	15 mm
<b>Max. Pressure</b>	16 bar -20°C – 20°C / 16bar +20°C – 50°C
<b>Packeging unit</b>	1 pcs.



## Ordering Information

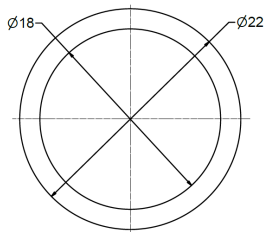
Ordering Information	Weight KG	Dimension mm
2813 2400 00	1,218	5700x18x18

# AL Pipe D22 5,7m



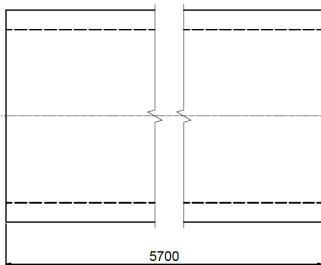
- Ideal as a main pipe as lightweight, stable and easy to lay using few pipe clips
- Low linear expansion ideal for large fluctuations in temperature
- Pipe protected by outer coating

- UV-resistant and suitable for outdoor installation
- Free of silicone



## Specifications

<b>Outer diameter</b>	22 mm
<b>Inner diameter</b>	18 mm
<b>Max. Pressure</b>	16 bar -20°C – 20°C / 16bar +20°C – 50°C
<b>Packeging unit</b>	1 pcs.



## Ordering Information

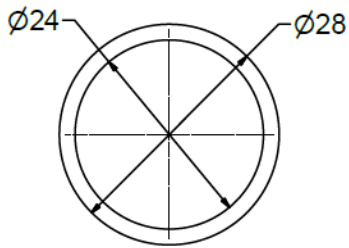
Ordering Information	Weight KG	Dimension mm
2813 3400 00	1,963	5700x22x22

# AL Pipe D28 5,7m



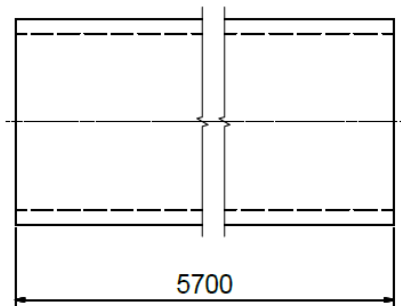
- Ideal as a main pipe as lightweight, stable and easy to lay using few pipe clips
- Low linear expansion ideal for large fluctuations in temperature
- Pipe protected by outer coating

- UV-resistant and suitable for outdoor installation
- Free of silicone



## Specifications

Outer diameter	28 mm
Inner diameter	24 mm
Max. Pressure	16 bar -20°C – 20°C / 16bar +20°C – 50°C
Packeging unit	1 pcs.



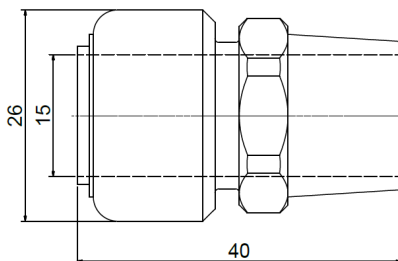
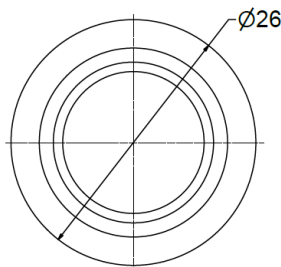
## Ordering Information

Ordering Information	Weight KG	Dimension mm
2813 4400 00	2,417	5700x28x28

# Nipple socket D15 1/2 ISO7R m



- Simple, quick assembly for huge time savings
  - Flexible system for simple release and reconnection
  - Resistant O-ring made from NBR ensures complete impermeability, even if the air contains oil
  - Large number of stainless steel retaining claws hold the pipe securely in the plug Connectors
- 2813101780 Nipple socket D15 1/2 ISO7R m
  - 2813201780 Nipple socket D18 1/2 ISO7R m
  - 2813211780 Nipple socket D18 3/4 ISO7R m
  - 2813301780 Nipple socket D22 1/2 ISO7R m
  - 2813311780 Nipple socket D22 3/4 ISO7R m
  - 2813421780 Nipple socket D28 1 ISO7R m
- Working pressure range : 16 bar at -20 °C to ≤ +50 °C
  - Material: Brass
  - Free of Silicone



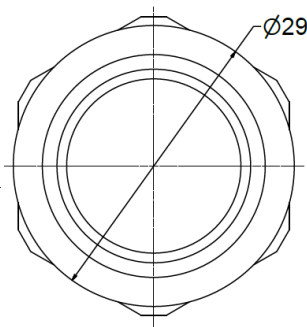
## Ordering Information

Ordering Information	Weight KG	Dimension mm
2813101780	0,052	40x26x26
2813201780	0,052	39x29x29
2813211780	0,076	42x35x35
2813301780	0,070	41x34x34
2813311780	0,075	43x34x34
2813421780	0,114	48x42x42

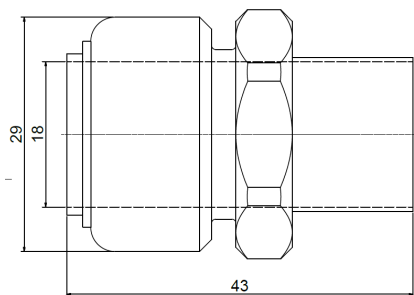
# Nipple socket D18 3/4 ISO7R m



- Simple, quick assembly for huge time savings
  - Flexible system for simple release and reconnection
  - Resistant O-ring made from NBR ensures complete impermeability, even if the air contains oil
  - Large number of stainless steel retaining claws hold the pipe securely in the plug Connectors
- 2813101780 Nipple socket D15 1/2 ISO7R m
  - 2813201780 Nipple socket D18 1/2 ISO7R m
  - 2813211780 Nipple socket D18 3/4 ISO7R m
  - 2813301780 Nipple socket D22 1/2 ISO7R m
  - 2813311780 Nipple socket D22 3/4 ISO7R m
  - 2813421780 Nipple socket D28 1 ISO7R m
- Working pressure range : 16 bar at -20 °C to ≤ +50 °C
  - Material: Brass
  - Free of Silicone



## Ordering Information

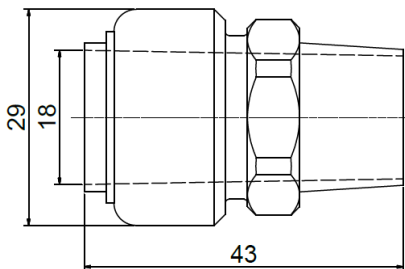
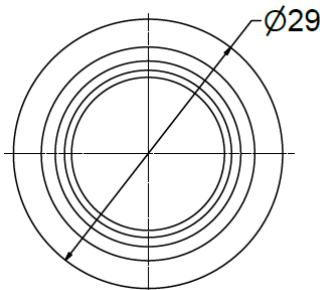


Ordering Information	Weight KG	Dimension mm
2813101780	0,052	40x26x26
2813201780	0,052	39x29x29
2813211780	0,076	42x35x35
2813301780	0,070	41x34x34
2813311780	0,075	43x34x34
2813421780	0,114	48x42x42

# Nipple socket D18 1/2 ISO7R m



- Simple, quick assembly for huge time savings
  - Flexible system for simple release and reconnection
  - Resistant O-ring made from NBR ensures complete impermeability, even if the air contains oil
  - Large number of stainless steel retaining claws hold the pipe securely in the plug Connectors
- 2813101780 Nipple socket D15 1/2 ISO7R m
  - 2813201780 Nipple socket D18 1/2 ISO7R m
  - 2813211780 Nipple socket D18 3/4 ISO7R m
  - 2813301780 Nipple socket D22 1/2 ISO7R m
  - 2813311780 Nipple socket D22 3/4 ISO7R m
  - 2813421780 Nipple socket D28 1 ISO7R m
- Working pressure range : 16 bar at -20 °C to ≤ +50 °C
  - Material: Brass
  - Free of Silicone



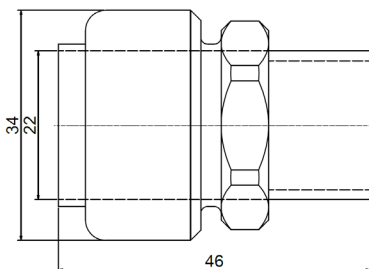
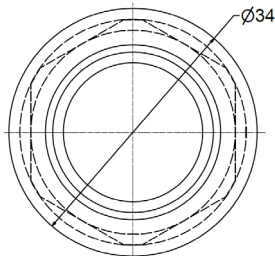
## Ordering Information

Ordering Information	Weight KG	Dimension mm
2813101780	0,052	40x26x26
2813201780	0,052	39x29x29
2813211780	0,076	42x35x35
2813301780	0,070	41x34x34
2813311780	0,075	43x34x34
2813421780	0,114	48x42x42

# Nipple socket D22 3/4 ISO7R m



- Simple, quick assembly for huge time savings
  - Flexible system for simple release and reconnection
  - Resistant O-ring made from NBR ensures complete impermeability, even if the air contains oil
  - Large number of stainless steel retaining claws hold the pipe securely in the plug Connectors
- 2813101780 Nipple socket D15 1/2 ISO7R m
  - 2813201780 Nipple socket D18 1/2 ISO7R m
  - 2813211780 Nipple socket D18 3/4 ISO7R m
  - 2813301780 Nipple socket D22 1/2 ISO7R m
  - 2813311780 Nipple socket D22 3/4 ISO7R m
  - 2813421780 Nipple socket D28 1 ISO7R m
- Working pressure range : 16 bar at -20 °C to ≤ +50 °C
  - Material: Brass
  - Free of Silicone



## Ordering Information

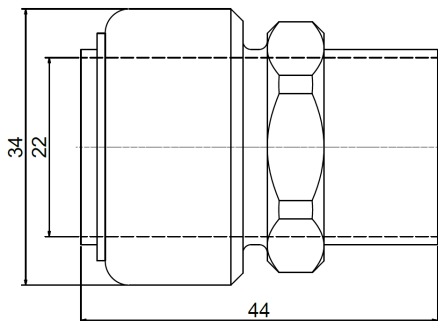
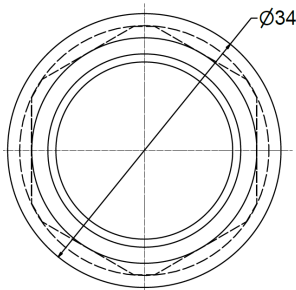
Ordering Information	Weight KG	Dimension mm
2813101780	0,052	40x26x26
2813201780	0,052	39x29x29
2813211780	0,076	42x35x35
2813301780	0,070	41x34x34
2813311780	0,075	43x34x34
2813421780	0,114	48x42x42



# Nipple socket D22 1/2 ISO7R m



- Simple, quick assembly for huge time savings
  - Flexible system for simple release and reconnection
  - Resistant O-ring made from NBR ensures complete impermeability, even if the air contains oil
  - Large number of stainless steel retaining claws hold the pipe securely in the plug Connectors
- 2813101780 Nipple socket D15 1/2 ISO7R m
  - 2813201780 Nipple socket D18 1/2 ISO7R m
  - 2813211780 Nipple socket D18 3/4 ISO7R m
  - 2813301780 Nipple socket D22 1/2 ISO7R m
  - 2813311780 Nipple socket D22 3/4 ISO7R m
  - 2813421780 Nipple socket D28 1 ISO7R m
- Working pressure range : 16 bar at -20 °C to ≤ +50 °C
  - Material: Brass
  - Free of Silicone



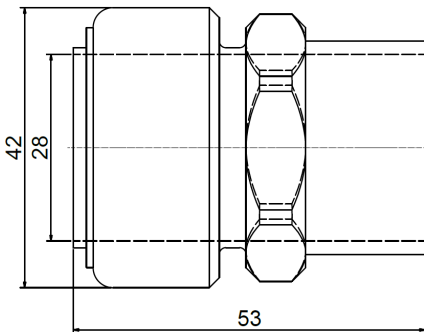
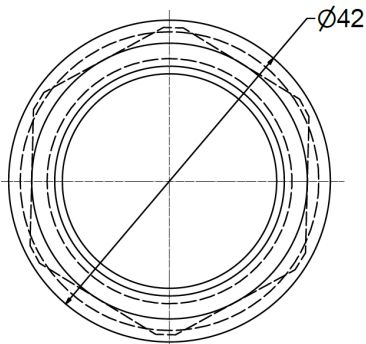
## Ordering Information

Ordering Information	Weight KG	Dimension mm
2813101780	0,052	40x26x26
2813201780	0,052	39x29x29
2813211780	0,076	42x35x35
2813301780	0,070	41x34x34
2813311780	0,075	43x34x34
2813421780	0,114	48x42x42

# Nipple socket D28 1 ISO7R m



- Simple, quick assembly for huge time savings
  - Flexible system for simple release and reconnection
  - Resistant O-ring made from NBR ensures complete impermeability, even if the air contains oil
  - Large number of stainless steel retaining claws hold the pipe securely in the plug Connectors
- 2813101780 Nipple socket D15 1/2 ISO7R m
  - 2813201780 Nipple socket D18 1/2 ISO7R m
  - 2813211780 Nipple socket D18 3/4 ISO7R m
  - 2813301780 Nipple socket D22 1/2 ISO7R m
  - 2813311780 Nipple socket D22 3/4 ISO7R m
  - 2813421780 Nipple socket D28 1 ISO7R m
- Working pressure range : 16 bar at -20 °C to ≤ +50 °C
  - Material: Brass
  - Free of Silicone



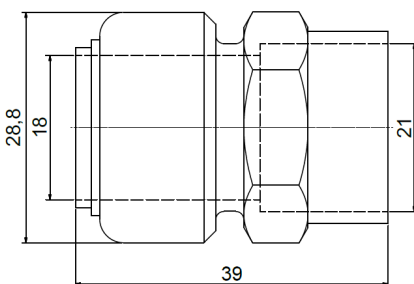
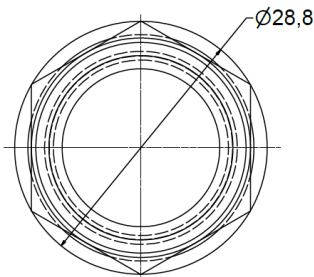
## Ordering Information

Ordering Information	Weight KG	Dimension mm
2813101780	0,052	40x26x26
2813201780	0,052	39x29x29
2813211780	0,076	42x35x35
2813301780	0,070	41x34x34
2813311780	0,075	43x34x34
2813421780	0,114	48x42x42

# Nipple socket D18 1/2 ISO228 f



- Simple, quick assembly for huge time savings
  - Flexible system for simple release and reconnection
  - Resistant O-ring made from NBR ensures complete impermeability, even if the air contains oil
  - Large number of stainless steel retaining claws hold the pipe securely in the plug Connectors
- 2813101980 Nipple socket D15 1/2 ISO228 f
  - 2813201980 Nipple socket D18 1/2 ISO228 f
  - 2813211980 Nipple socket D18 3/4 ISO228 f
  - 2813301980 Nipple socket D22 1/2 ISO228 f
  - 2813311980 Nipple socket D22 3/4 ISO228 f
  - 2813421980 Nipple socket D28 1 ISO228 f
- Working pressure range : 16 bar at -20 °C to ≤ +50 °C
  - Material: Brass
  - Free of Silicone



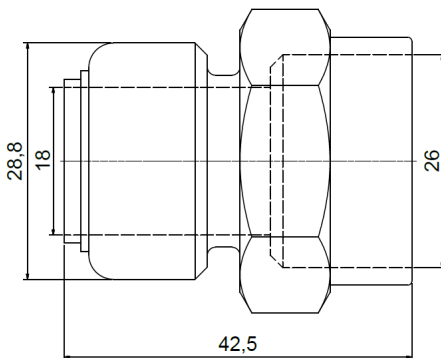
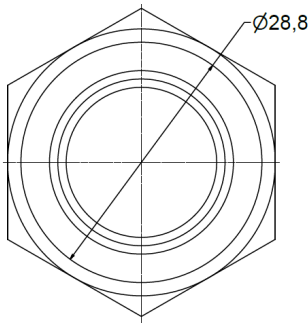
## Ordering Information

Ordering Information	Weight KG	Dimension mm
2813101980	0,052	41x26x26
2813201980	0,050	40x31x31
2813211980	0,060	43x37x37
2813301980	0,096	45x34x34
2813311980	0,110	47x34x34
2813421980	0,119	53x41x41

# Nipple socket D18 3/4 ISO228 f



- Simple, quick assembly for huge time savings
  - Flexible system for simple release and reconnection
  - Resistant O-ring made from NBR ensures complete impermeability, even if the air contains oil
  - Large number of stainless steel retaining claws hold the pipe securely in the plug Connectors
- 2813101980 Nipple socket D15 1/2 ISO228 f
  - 2813201980 Nipple socket D18 1/2 ISO228 f
  - 2813211980 Nipple socket D18 3/4 ISO228 f
  - 2813301980 Nipple socket D22 1/2 ISO228 f
  - 2813311980 Nipple socket D22 3/4 ISO228 f
  - 2813421980 Nipple socket D28 1 ISO228 f
- Working pressure range : 16 bar at -20 °C to ≤ +50 °C
  - Material: Brass
  - Free of Silicone



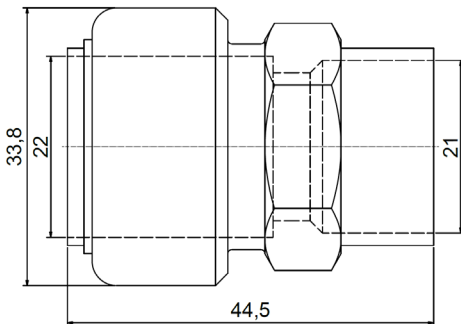
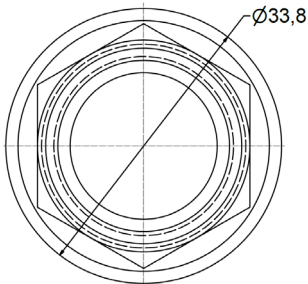
## Ordering Information

Ordering Information	Weight KG	Dimension mm
2813101980	0,052	41x26x26
2813201980	0,050	40x31x31
2813211980	0,060	43x37x37
2813301980	0,096	45x34x34
2813311980	0,110	47x34x34
2813421980	0,119	53x41x41

# Nipple socket D22 1/2 ISO228 f



- Simple, quick assembly for huge time savings
  - Flexible system for simple release and reconnection
  - Resistant O-ring made from NBR ensures complete impermeability, even if the air contains oil
  - Large number of stainless steel retaining claws hold the pipe securely in the plug Connectors
- 2813101980 Nipple socket D15 1/2 ISO228 f
  - 2813201980 Nipple socket D18 1/2 ISO228 f
  - 2813211980 Nipple socket D18 3/4 ISO228 f
  - 2813301980 Nipple socket D22 1/2 ISO228 f
  - 2813311980 Nipple socket D22 3/4 ISO228 f
  - 2813421980 Nipple socket D28 1 ISO228 f
- Working pressure range : 16 bar at -20 °C to ≤ +50 °C
  - Material: Brass
  - Free of Silicone



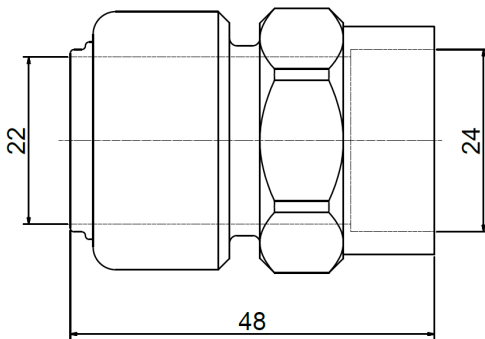
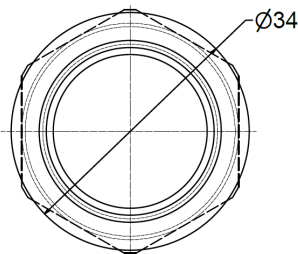
## Ordering Information

Ordering Information	Weight KG	Dimension mm
2813101980	0,052	41x26x26
2813201980	0,050	40x31x31
2813211980	0,060	43x37x37
2813301980	0,096	45x34x34
2813311980	0,110	47x34x34
2813421980	0,119	53x41x41

# Nipple socket D22 3/4 ISO228 f



- Simple, quick assembly for huge time savings
  - Flexible system for simple release and reconnection
  - Resistant O-ring made from NBR ensures complete impermeability, even if the air contains oil
  - Large number of stainless steel retaining claws hold the pipe securely in the plug Connectors
- 2813101980 Nipple socket D15 1/2 ISO228 f
  - 2813201980 Nipple socket D18 1/2 ISO228 f
  - 2813211980 Nipple socket D18 3/4 ISO228 f
  - 2813301980 Nipple socket D22 1/2 ISO228 f
  - 2813311980 Nipple socket D22 3/4 ISO228 f
  - 2813421980 Nipple socket D28 1 ISO228 f
- Working pressure range : 16 bar at -20 °C to ≤ +50 °C
  - Material: Brass
  - Free of Silicone



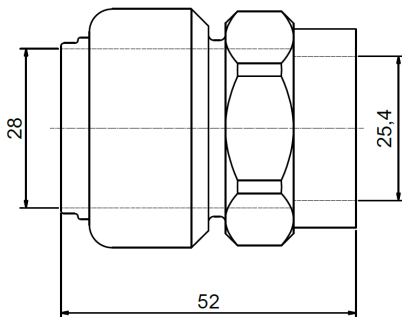
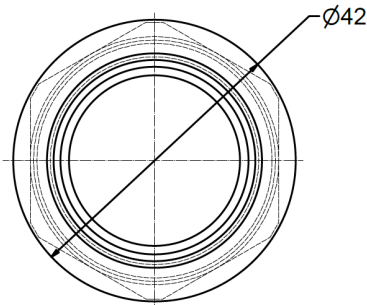
## Ordering Information

Ordering Information	Weight KG	Dimension mm
2813101980	0,052	41x26x26
2813201980	0,050	40x31x31
2813211980	0,060	43x37x37
2813301980	0,096	45x34x34
2813311980	0,110	47x34x34
2813421980	0,119	53x41x41

# Nipple socket D28 1 ISO228 f



- Simple, quick assembly for huge time savings
  - Flexible system for simple release and reconnection
  - Resistant O-ring made from NBR ensures complete impermeability, even if the air contains oil
  - Large number of stainless steel retaining claws hold the pipe securely in the plug Connectors
- 2813101980 Nipple socket D15 1/2 ISO228 f
  - 2813201980 Nipple socket D18 1/2 ISO228 f
  - 2813211980 Nipple socket D18 3/4 ISO228 f
  - 2813301980 Nipple socket D22 1/2 ISO228 f
  - 2813311980 Nipple socket D22 3/4 ISO228 f
  - 2813421980 Nipple socket D28 1 ISO228 f
- Working pressure range : 16 bar at -20 °C to ≤ +50 °C
  - Material: Brass
  - Free of Silicone



## Ordering Information

Ordering Information	Weight KG	Dimension mm
2813101980	0,052	41x26x26
2813201980	0,050	40x31x31
2813211980	0,060	43x37x37
2813301980	0,096	45x34x34
2813311980	0,110	47x34x34
2813421980	0,119	53x41x41

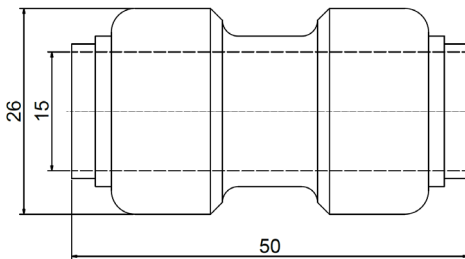
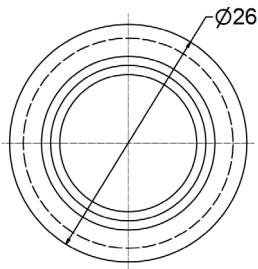
## Equal socket D15



- Simple, quick assembly for huge time savings
- Flexible system for simple release and reconnection
- Resistant O-ring made from NBR ensures complete impermeability, even if the air contains oil
- Large number of stainless-steel retaining claws hold the pipe securely in the plug Connectors

- 2813100280 Equal socket D15
- 2813200280 Equal socket D18
- 2813300280 Equal socket D22
- 2813400280 Equal socket D28

- Working pressure range : 16 bar at -20 °C to ≤ +50 °C
- Material: Brass
- Free of Silicone



### Ordering Information

Ordering Information	Weight KG	Dimension mm
2813100280	0,045	48x26x26
2813200280	0,064	49x29x29
2813300280	0,082	58x34x34
2813400280	0,200	68x41x41



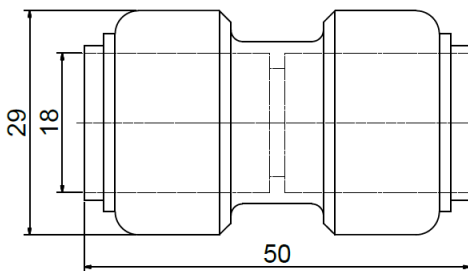
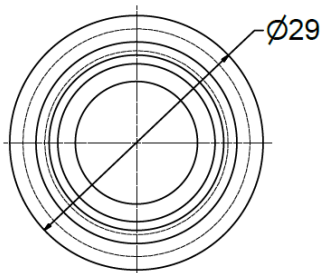
## Equal socket D18



- Simple, quick assembly for huge time savings
- Flexible system for simple release and reconnection
- Resistant O-ring made from NBR ensures complete impermeability, even if the air contains oil
- Large number of stainless steel retaining claws hold the pipe securely in the plug Connectors

- 2813100280 Equal socket D15
- 2813200280 Equal socket D18
- 2813300280 Equal socket D22
- 2813400280 Equal socket D28

- Working pressure range : 16 bar at -20 °C to ≤ +50 °C
- Material: Brass
- Free of Silicone



### Ordering Information

Ordering Information	Weight KG	Dimension mm
2813100280	0,045	48x26x26
2813200280	0,064	49x29x29
2813300280	0,082	58x34x34
2813400280	0,200	68x41x41

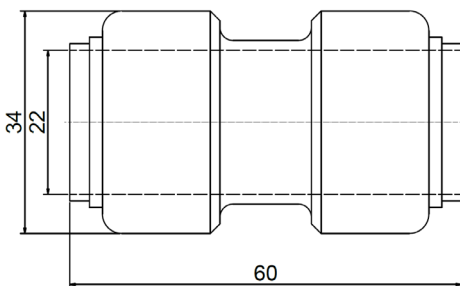
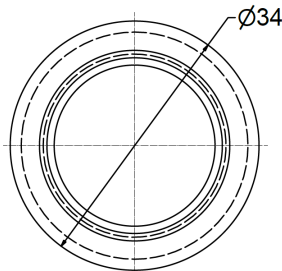
## Equal socket D22



- Simple, quick assembly for huge time savings
- Flexible system for simple release and reconnection
- Resistant O-ring made from NBR ensures complete impermeability, even if the air contains oil
- Large number of stainless steel retaining claws hold the pipe securely in the plug Connectors

- 2813100280 Equal socket D15
- 2813200280 Equal socket D18
- 2813300280 Equal socket D22
- 2813400280 Equal socket D28

- Working pressure range : 16 bar at -20 °C to ≤ +50 °C
- Material: Brass
- Free of Silicone



### Ordering Information

Ordering Information	Weight KG	Dimension mm
2813100280	0,045	48x26x26
2813200280	0,064	49x29x29
2813300280	0,082	58x34x34
2813400280	0,200	68x41x41

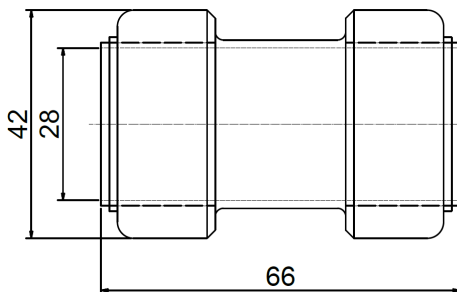
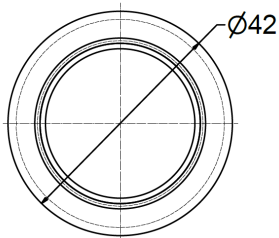
## Equal socket D28



- Simple, quick assembly for huge time savings
- Flexible system for simple release and reconnection
- Resistant O-ring made from NBR ensures complete impermeability, even if the air contains oil
- Large number of stainless steel retaining claws hold the pipe securely in the plug Connectors

- 2813100280 Equal socket D15
- 2813200280 Equal socket D18
- 2813300280 Equal socket D22
- 2813400280 Equal socket D28

- Working pressure range : 16 bar at -20 °C to ≤ +50 °C
- Material: Brass
- Free of Silicone



### Ordering Information

Ordering Information	Weight KG	Dimension mm
2813100280	0,045	48x26x26
2813200280	0,064	49x29x29
2813300280	0,082	58x34x34
2813400280	0,200	68x41x41

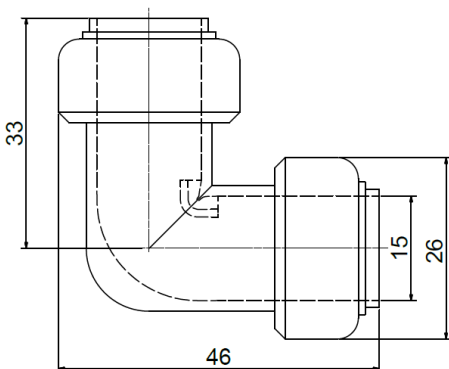
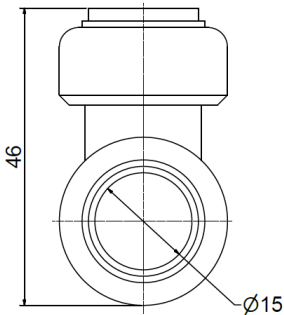
## 90 Deg Elbow D15



- Simple, quick assembly for huge time savings
- Flexible system for simple release and reconnection
- Resistant O-ring made from NBR ensures complete impermeability, even if the air contains oil
- Large number of stainless steel retaining claws hold the pipe securely in the plug Connectors

- 2813100380 90 Deg Elbow D15
- 2813200380 90 Deg Elbow D18
- 2813300380 90 Deg Elbow D22
- 2813400380 90 Deg Elbow D28

- Working pressure range : 16 bar at -20 °C to ≤ +50 °C
- Material: Brass
- Free of Silicone



### Ordering Information

Ordering Information	Weight KG	Dimension mm
2813100380	0,058	45x26x45
2813200380	0,067	48x29x48
2813300380	0,109	58x34x58
2813400380	0,170	68x41x68

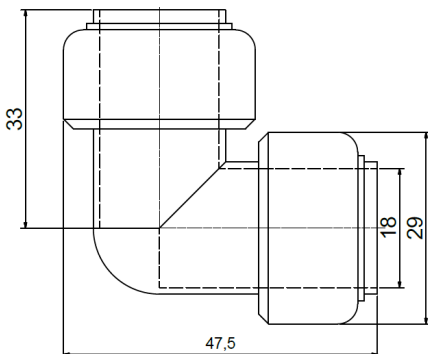
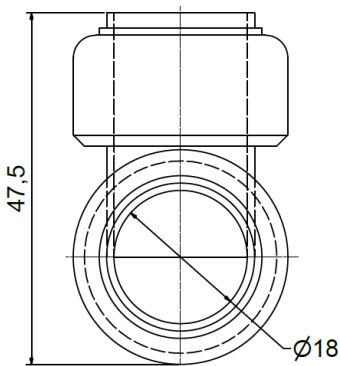
# 90 Deg Elbow D18



- Simple, quick assembly for huge time savings
- Flexible system for simple release and reconnection
- Resistant O-ring made from NBR ensures complete impermeability, even if the air contains oil
- Large number of stainless steel retaining claws hold the pipe securely in the plug Connectors

- 2813100380 90 Deg Elbow D15
- 2813200380 90 Deg Elbow D18
- 2813300380 90 Deg Elbow D22
- 2813400380 90 Deg Elbow D28

- Working pressure range : 16 bar at -20 °C to ≤ +50 °C
- Material: Brass
- Free of Silicone



## Ordering Information

Ordering Information	Weight KG	Dimension mm
2813100380	0,058	45x26x45
2813200380	0,067	48x29x48
2813300380	0,109	58x34x58
2813400380	0,170	68x41x68

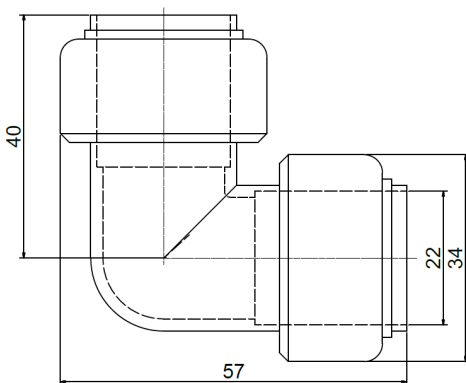
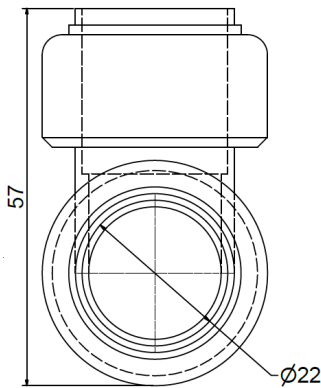
## 90 Deg Elbow D22



- Simple, quick assembly for huge time savings
- Flexible system for simple release and reconnection
- Resistant O-ring made from NBR ensures complete impermeability, even if the air contains oil
- Large number of stainless steel retaining claws hold the pipe securely in the plug Connectors

- 2813100380 90 Deg Elbow D15
- 2813200380 90 Deg Elbow D18
- 2813300380 90 Deg Elbow D22
- 2813400380 90 Deg Elbow D28

- Working pressure range : 16 bar at -20 °C to ≤ +50 °C
- Material: Brass
- Free of Silicone



### Ordering Information

Ordering Information	Weight KG	Dimension mm
2813100380	0,058	45x26x45
2813200380	0,067	48x29x48
2813300380	0,109	58x34x58
2813400380	0,170	68x41x68

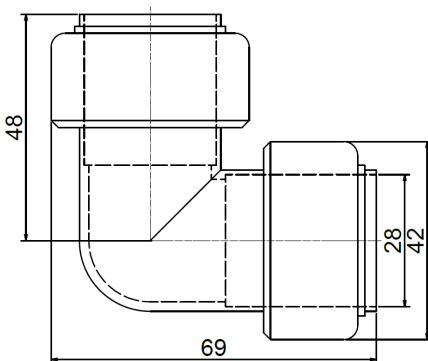
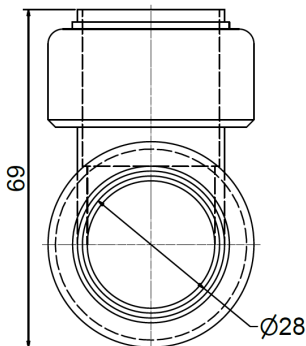
## 90 Deg Elbow D28



- Simple, quick assembly for huge time savings
- Flexible system for simple release and reconnection
- Resistant O-ring made from NBR ensures complete impermeability, even if the air contains oil
- Large number of stainless steel retaining claws hold the pipe securely in the plug Connectors

- 2813100380 90 Deg Elbow D15
- 2813200380 90 Deg Elbow D18
- 2813300380 90 Deg Elbow D22
- 2813400380 90 Deg Elbow D28

- Working pressure range : 16 bar at -20 °C to ≤ +50 °C
- Material: Brass
- Free of Silicone



### Ordering Information

Ordering Information	Weight KG	Dimension mm
2813100380	0,058	45x26x45
2813200380	0,067	48x29x48
2813300380	0,109	58x34x58
2813400380	0,170	68x41x68

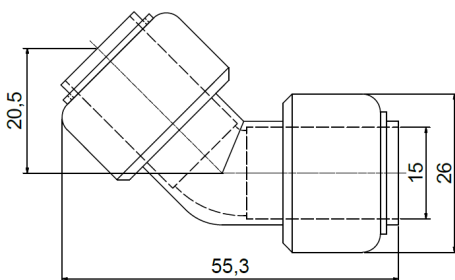
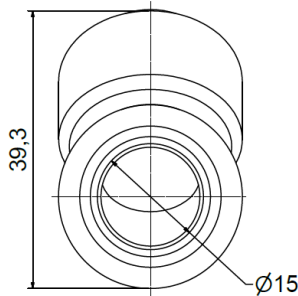
# 45 Deg Elbow D15



- Simple, quick assembly for huge time savings
- Flexible system for simple release and reconnection
- Resistant O-ring made from NBR ensures complete impermeability, even if the air contains oil
- Large number of stainless steel retaining claws hold the pipe securely in the plug Connectors

- 2813100480 45 Deg Elbow D15
- 2813200480 45 Deg Elbow D18
- 2813300480 45 Deg Elbow D22
- 2813400480 45 Deg Elbow D28

- Working pressure range : 16 bar at -20 °C to ≤ +50 °C
- Material: Brass
- Free of Silicone



## Ordering Information

Ordering Information	Weight KG	Dimension mm
2813100480	0,053	57x26x33
2813200480	0,060	61x29x35
2813300480	0,132	68x34x51
2813400480	0,240	80x41x62



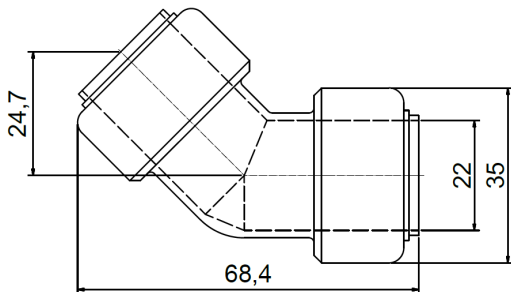
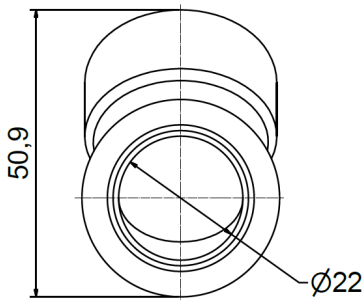
## 45 Deg Elbow D22



- Simple, quick assembly for huge time savings
- Flexible system for simple release and reconnection
- Resistant O-ring made from NBR ensures complete impermeability, even if the air contains oil
- Large number of stainless steel retaining claws hold the pipe securely in the plug Connectors

- 2813100480 45 Deg Elbow D15
- 2813200480 45 Deg Elbow D18
- 2813300480 45 Deg Elbow D22
- 2813400480 45 Deg Elbow D28

- Working pressure range : 16 bar at -20 °C to ≤ +50 °C
- Material: Brass
- Free of Silicone



### Ordering Information

Ordering Information	Weight KG	Dimension mm
2813100480	0,053	57x26x33
2813200480	0,060	61x29x35
2813300480	0,132	68x34x51
2813400480	0,240	80x41x62

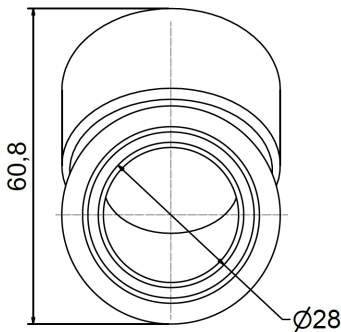
# 45 Deg Elbow D28



- Simple, quick assembly for huge time savings
- Flexible system for simple release and reconnection
- Resistant O-ring made from NBR ensures complete impermeability, even if the air contains oil
- Large number of stainless steel retaining claws hold the pipe securely in the plug Connectors

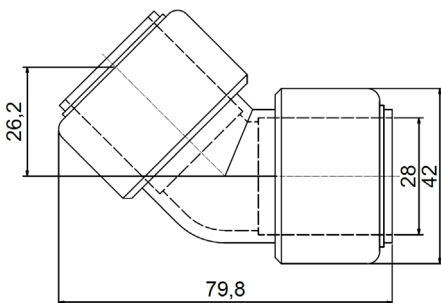
- 2813100480 45 Deg Elbow D15
- 2813200480 45 Deg Elbow D18
- 2813300480 45 Deg Elbow D22
- 2813400480 45 Deg Elbow D28

- Working pressure range : 16 bar at -20 °C to ≤ +50 °C
- Material: Brass
- Free of Silicone



## Ordering Information

Ordering Information	Weight KG	Dimension mm
2813100480	0,053	57x26x33
2813200480	0,060	61x29x35
2813300480	0,132	68x34x51
2813400480	0,240	80x41x62



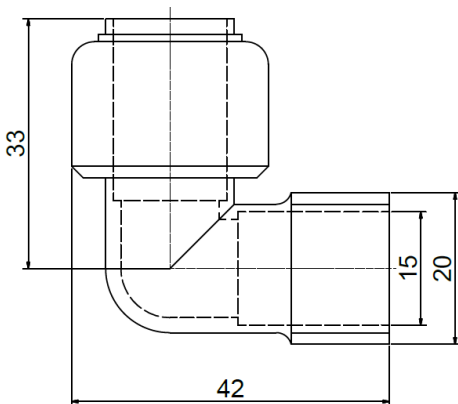
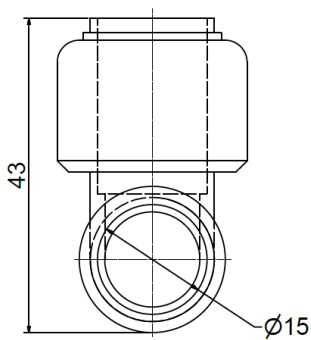
# 90 Deg Elbow D15-1/2 ISO7R m



- Simple, quick assembly for huge time savings
- Flexible system for simple release and reconnection
- Resistant O-ring made from NBR ensures complete impermeability, even if the air contains oil
- Large number of stainless steel retaining claws hold the pipe securely in the plug Connectors

- 2813100381 90 Deg Elbow D15-1/2 ISO7R m
- 2813200381 90 Deg Elbow D18-1/2 ISO7R m
- 2813300381 90 Deg Elbow D22-1/2 ISO7R m
- 2813400381 90 Deg Elbow D28-1/2 ISO7R m

- Working pressure range : 16 bar at -20 °C to ≤ +50 °C
- Material: Brass
- Free of Silicone



## Ordering Information

Ordering Information	Weight KG	Dimension mm
2813100381	0,058	45x26x42
2813200381	0,061	48x29x43
2813300381	0,099	58x34x51
2813400381	0,215	68x41x58

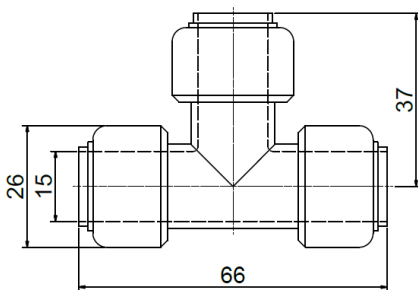
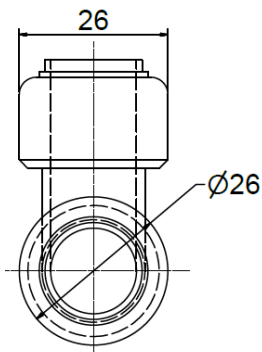
## Equal tee D15



- Simple, quick assembly for huge time savings
- Flexible system for simple release and reconnection
- Resistant O-ring made from NBR ensures complete impermeability, even if the air contains oil
- Large number of stainless steel retaining claws hold the pipe securely in the plug Connectors

- 2813100580 Equal tee D15
- 2813200580 Equal tee D18
- 2813300580 Equal tee D22
- 2813400580 Equal tee D28

- Working pressure range : 16 bar at -20 °C to ≤ +50 °C
- Material: Brass
- Free of Silicone



### Ordering Information

Ordering Information	Weight KG	Dimension mm
2813100580	0,080	65x26x45
2813200580	0,092	67x29x47
2813300580	0,148	81x34x57
2813400580	0,275	95x41x68

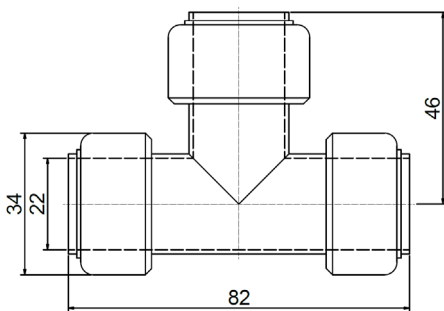
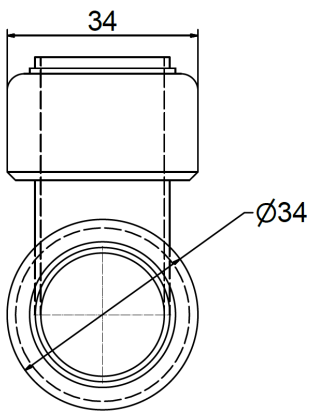
## Equal tee D22



- Simple, quick assembly for huge time savings
- Flexible system for simple release and reconnection
- Resistant O-ring made from NBR ensures complete impermeability, even if the air contains oil
- Large number of stainless steel retaining claws hold the pipe securely in the plug Connectors

- 2813100580 Equal tee D15
- 2813200580 Equal tee D18
- 2813300580 Equal tee D22
- 2813400580 Equal tee D28

- Working pressure range : 16 bar at -20 °C to ≤ +50 °C
- Material: Brass
- Free of Silicone



### Ordering Information

Ordering Information	Weight KG	Dimension mm
2813100580	0,080	65x26x45
2813200580	0,092	67x29x47
2813300580	0,148	81x34x57
2813400580	0,275	95x41x68

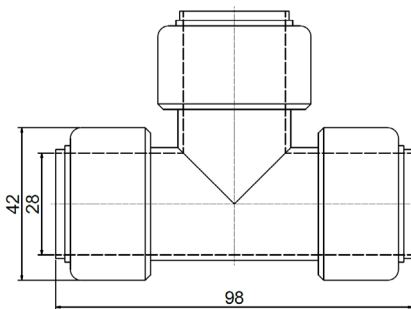
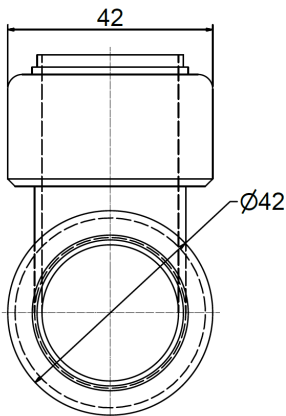
## Equal tee D28



- Simple, quick assembly for huge time savings
- Flexible system for simple release and reconnection
- Resistant O-ring made from NBR ensures complete impermeability, even if the air contains oil
- Large number of stainless steel retaining claws hold the pipe securely in the plug Connectors

- 2813100580 Equal tee D15
- 2813200580 Equal tee D18
- 2813300580 Equal tee D22
- 2813400580 Equal tee D28

- Working pressure range : 16 bar at -20 °C to ≤ +50 °C
- Material: Brass
- Free of Silicone



### Ordering Information

Ordering Information	Weight KG	Dimension mm
2813100580	0,080	65x26x45
2813200580	0,092	67x29x47
2813300580	0,148	81x34x57
2813400580	0,275	95x41x68

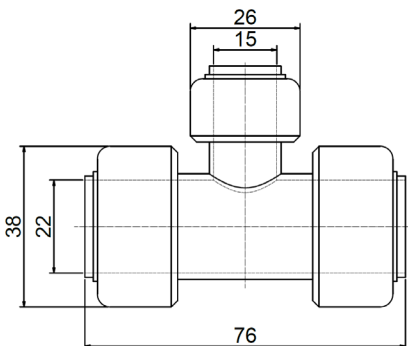
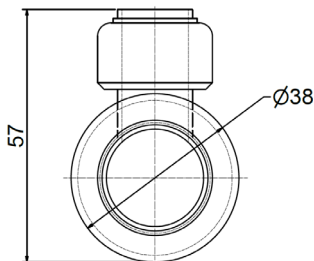
## Equal tee D15



- Simple, quick assembly for huge time savings
- Flexible system for simple release and reconnection
- Resistant O-ring made from NBR ensures complete impermeability, even if the air contains oil
- Large number of stainless steel retaining claws hold the pipe securely in the plug Connectors

- 2813100580 Equal tee D15
- 2813200580 Equal tee D18
- 2813300580 Equal tee D22
- 2813400580 Equal tee D28

- Working pressure range : 16 bar at -20 °C to ≤ +50 °C
- Material: Brass
- Free of Silicone



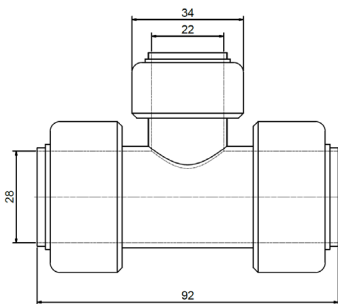
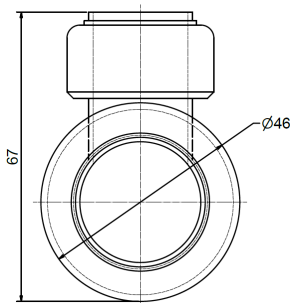
### Ordering Information

Ordering Information	Weight KG	Dimension mm
2813100580	0,080	65x26x45
2813200580	0,092	67x29x47
2813300580	0,148	81x34x57
2813400580	0,275	95x41x68

# Reduction tee D28 D22 D28



- Simple, quick assembly for huge time savings
  - Flexible system for simple release and reconnection
  - Resistant O-ring made from NBR ensures complete impermeability, even if the air contains oil
  - Large number of stainless steel retaining claws hold the pipe securely in the plug Connectors
- **2813310780** Reduction tee D22 D15 D22
  - **2813320780** Reduction tee D22 D18 D22
  - **2813420780** Reduction tee D28 D18 D28
  - **2813430781** Reduction tee D28 D22 D22
  - **2813430780** Reduction tee D28 D22 D28
- Working pressure range : 16 bar at -20 °C to ≤ +50 °C
  - Material: Brass
  - Free of Silicone



## Ordering Information

Ordering Information	Weight KG	Dimension mm
<b>2813310780</b>	0,120	73x34x55
<b>2813320780</b>	0,135	77x34x52
<b>2813420780</b>	0,240	91x41x63
<b>2813430781</b>	0,248	82x41x63
<b>2813430780</b>	0,260	91x41x65



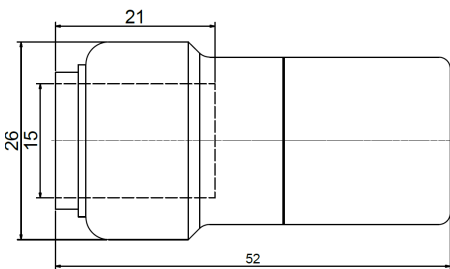
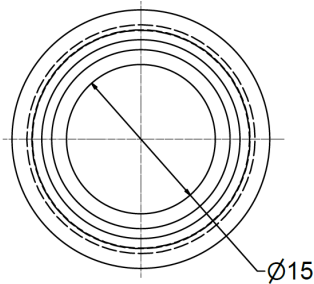
# Pipe end adapter D22-D15



- Simple, quick assembly for huge time savings
- Flexible system for simple release and reconnection
- Resistant O-ring made from NBR ensures complete impermeability, even if the air contains oil
- Large number of stainless steel retaining claws hold the pipe securely in the plug Connectors

- 2813316280 Pipe end adapter D22-D15
- 2813326280 Pipe end adapter D22-D18
- 2813426280 Pipe end adapter D28-D18
- 2813436280 Pipe end adapter D28-D22

- Working pressure range : 16 bar at -20 °C to ≤ +50 °C
- Material: Brass
- Free of Silicone



## Ordering Information

Ordering Information	Weight KG	Dimension mm
2813316280	0,040	46x22x22
2813326280	0,042	48x22x22
2813426280	0,056	54x28x28
2813436280	0,075	56x28x28

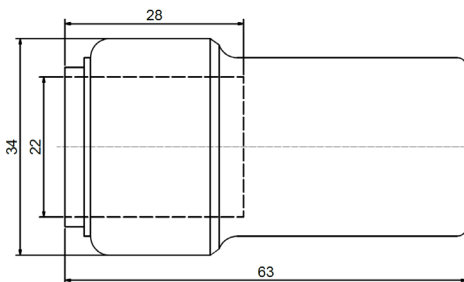
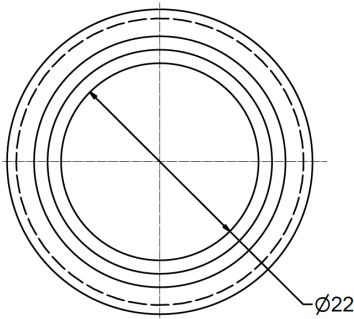
## Pipe end adapter D28-D22



- Simple, quick assembly for huge time savings
- Flexible system for simple release and reconnection
- Resistant O-ring made from NBR ensures complete impermeability, even if the air contains oil
- Large number of stainless steel retaining claws hold the pipe securely in the plug Connectors

- 2813316280 Pipe end adapter D22-D15
- 2813326280 Pipe end adapter D22-D18
- 2813426280 Pipe end adapter D28-D18
- 2813436280 Pipe end adapter D28-D22

- Working pressure range : 16 bar at -20 °C to ≤ +50 °C
- Material: Brass
- Free of Silicone



### Ordering Information

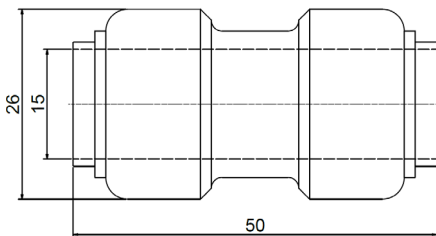
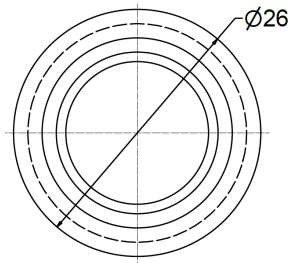
Ordering Information	Weight KG	Dimension mm
2813316280	0,040	46x22x22
2813326280	0,042	48x22x22
2813426280	0,056	54x28x28
2813436280	0,075	56x28x28

# Sliding equal socket D15



- Simple, quick assembly for huge time savings
  - Flexible system for simple release and reconnection
  - Resistant O-ring made from NBR ensures complete impermeability, even if the air contains oil
  - Large number of stainless steel retaining claws hold the pipe securely in the plug Connectors
- **2813100281** Sliding equal socket D15
  - **2813200281** Sliding equal socket D18
  - **2813300281** Sliding equal socket D22
  - **2813400281** Sliding equal socket D28

- Working pressure range : 16 bar at -20 °C to ≤ +50 °C
- Material: Brass
- Free of Silicone



## Ordering Information

Ordering Information	Weight KG	Dimension mm
<b>2813100281</b>	0,045	48x26x26
<b>2813200281</b>	0,064	49x29x29
<b>2813300281</b>	0,082	58x34x34
<b>2813400281</b>	0,200	68x41x41

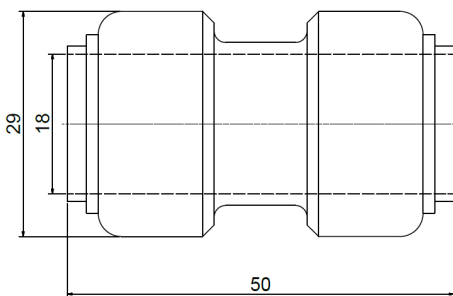
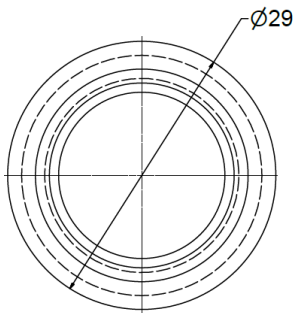
# Sliding equal socket D18



- Simple, quick assembly for huge time savings
- Flexible system for simple release and reconnection
- Resistant O-ring made from NBR ensures complete impermeability, even if the air contains oil
- Large number of stainless steel retaining claws hold the pipe securely in the plug Connectors

- **2813100281** Sliding equal socket D15
- **2813200281** Sliding equal socket D18
- **2813300281** Sliding equal socket D22
- **2813400281** Sliding equal socket D28

- Working pressure range : 16 bar at -20 °C to ≤ +50 °C
- Material: Brass
- Free of Silicone



## Ordering Information

Ordering Information	Weight KG	Dimension mm
<b>2813100281</b>	0,045	48x26x26
<b>2813200281</b>	0,064	49x29x29
<b>2813300281</b>	0,082	58x34x34
<b>2813400281</b>	0,200	68x41x41

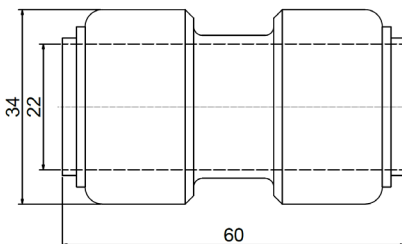
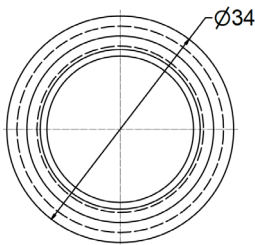
# Sliding equal socket D22



- Simple, quick assembly for huge time savings
- Flexible system for simple release and reconnection
- Resistant O-ring made from NBR ensures complete impermeability, even if the air contains oil
- Large number of stainless steel retaining claws hold the pipe securely in the plug Connectors

- 2813100281 Sliding equal socket D15
- 2813200281 Sliding equal socket D18
- 2813300281 Sliding equal socket D22
- 2813400281 Sliding equal socket D28

- Working pressure range : 16 bar at -20 °C to ≤ +50 °C
- Material: Brass
- Free of Silicone



## Ordering Information

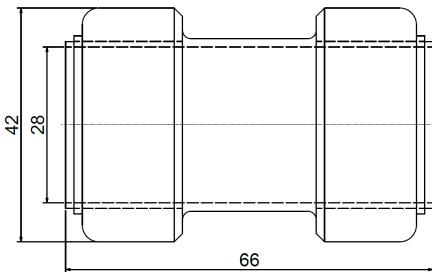
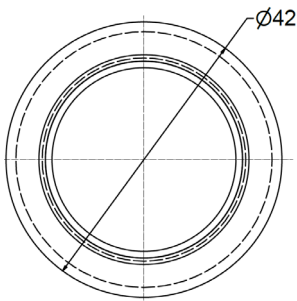
Ordering Information	Weight KG	Dimension mm
2813100281	0,045	48x26x26
2813200281	0,064	49x29x29
2813300281	0,082	58x34x34
2813400281	0,200	68x41x41

# Sliding equal socket D28



- Simple, quick assembly for huge time savings
  - Flexible system for simple release and reconnection
  - Resistant O-ring made from NBR ensures complete impermeability, even if the air contains oil
  - Large number of stainless steel retaining claws hold the pipe securely in the plug Connectors
- **2813100281** Sliding equal socket D15
  - **2813200281** Sliding equal socket D18
  - **2813300281** Sliding equal socket D22
  - **2813400281** Sliding equal socket D28

- Working pressure range : 16 bar at -20 °C to ≤ +50 °C
- Material: Brass
- Free of Silicone



## Ordering Information

Ordering Information	Weight KG	Dimension mm
<b>2813100281</b>	0,045	48x26x26
<b>2813200281</b>	0,064	49x29x29
<b>2813300281</b>	0,082	58x34x34
<b>2813400281</b>	0,200	68x41x41

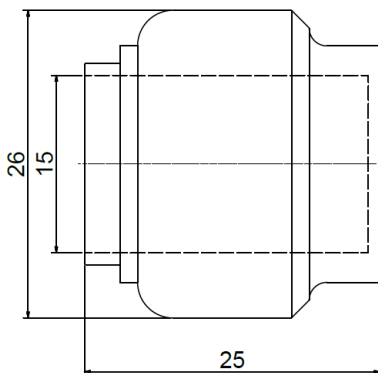
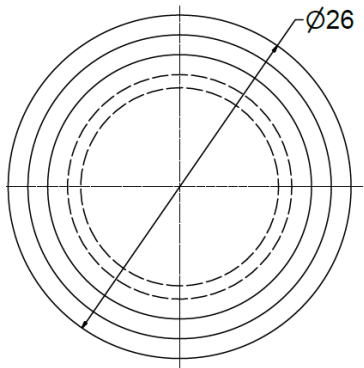
## End cap D15



- Simple, quick assembly for huge time savings
- Flexible system for simple release and reconnection
- Resistant O-ring made from NBR ensures complete impermeability, even if the air contains oil
- Large number of stainless steel retaining claws hold the pipe securely in the plug Connectors

- 2813100680 End cap D15
- 2813200680 End cap D18
- 2813300680 End cap D22
- 2813400680 End cap D28

- Working pressure range : 16 bar at -20 °C to ≤ +50 °C
- Material: Brass
- Free of Silicone



### Ordering Information

Ordering Information	Weight KG	Dimension mm
2813100680	0,027	26x26x26
2813200680	0,031	26x29x29
2813300680	0,048	31x34x34
2813400680	0,070	35x41x41

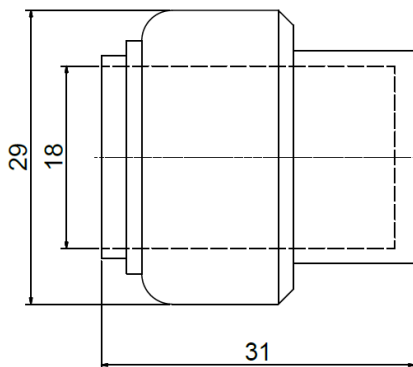
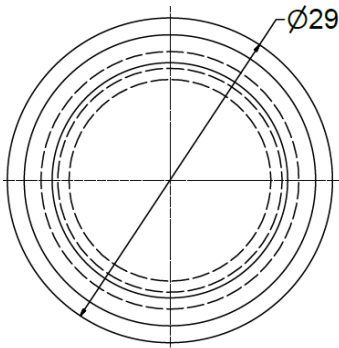
## End cap D18



- Simple, quick assembly for huge time savings
- Flexible system for simple release and reconnection
- Resistant O-ring made from NBR ensures complete impermeability, even if the air contains oil
- Large number of stainless steel retaining claws hold the pipe securely in the plug Connectors

- 2813100680 End cap D15
- 2813200680 End cap D18
- 2813300680 End cap D22
- 2813400680 End cap D28

- Working pressure range : 16 bar at -20 °C to ≤ +50 °C
- Material: Brass
- Free of Silicone



### Ordering Information

Ordering Information	Weight KG	Dimension mm
2813100680	0,027	26x26x26
2813200680	0,031	26x29x29
2813300680	0,048	31x34x34
2813400680	0,070	35x41x41



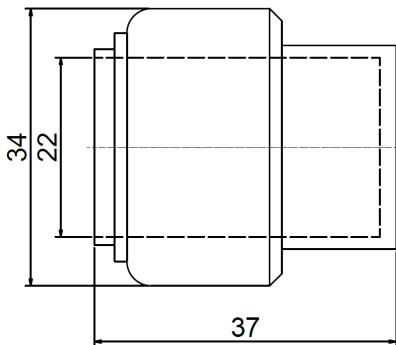
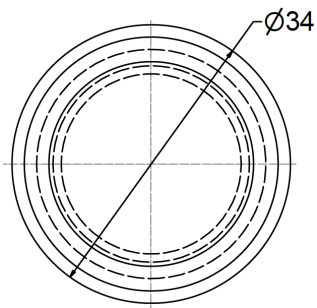
## End cap D22



- Simple, quick assembly for huge time savings
- Flexible system for simple release and reconnection
- Resistant O-ring made from NBR ensures complete impermeability, even if the air contains oil
- Large number of stainless steel retaining claws hold the pipe securely in the plug Connectors

- 2813100680 End cap D15
- 2813200680 End cap D18
- 2813300680 End cap D22
- 2813400680 End cap D28

- Working pressure range : 16 bar at -20 °C to ≤ +50 °C
- Material: Brass
- Free of Silicone



### Ordering Information

Ordering Information	Weight KG	Dimension mm
2813100680	0,027	26x26x26
2813200680	0,031	26x29x29
2813300680	0,048	31x34x34
2813400680	0,070	35x41x41

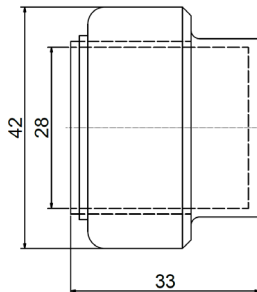
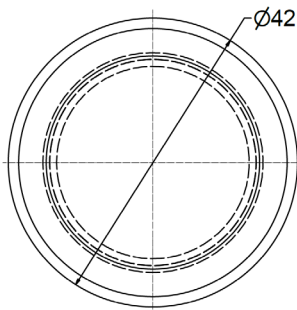
## End cap D28



- Simple, quick assembly for huge time savings
- Flexible system for simple release and reconnection
- Resistant O-ring made from NBR ensures complete impermeability, even if the air contains oil
- Large number of stainless steel retaining claws hold the pipe securely in the plug Connectors

- 2813100680 End cap D15
- 2813200680 End cap D18
- 2813300680 End cap D22
- 2813400680 End cap D28

- Working pressure range : 16 bar at -20 °C to ≤ +50 °C
- Material: Brass
- Free of Silicone



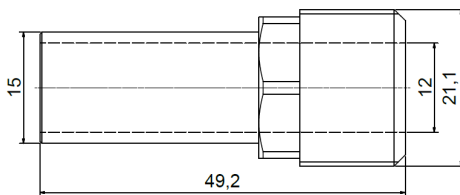
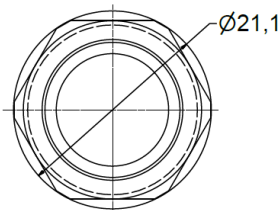
### Ordering Information

Ordering Information	Weight KG	Dimension mm
2813100680	0,027	26x26x26
2813200680	0,031	26x29x29
2813300680	0,048	31x34x34
2813400680	0,070	35x41x41

## Threaded ad. D15-1/2 ISO7R m



- Simple, quick assembly for huge time savings
  - Flexible system for simple release and reconnection
  - Resistant O-ring made from NBR ensures complete impermeability, even if the air contains oil
  - Large number of stainless steel retaining claws hold the pipe securely in the plug Connectors
- 2813101300 Threaded ad. D15-1/2 ISO7R m
  - 2813201300 Threaded ad. D18-1/2 ISO7R m
  - 2813211300 Threaded ad. D18-3/4 ISO7R m
  - 2813301300 Threaded ad. D22-1/2 ISO7R m
  - 2813311300 Threaded ad. D22-3/4 ISO7R m
  - 2813421300 Threaded ad. D28-1 ISO7R m
- Working pressure range : 16 bar at -20 °C to ≤ +50 °C
  - Material: Brass
  - Free of Silicone



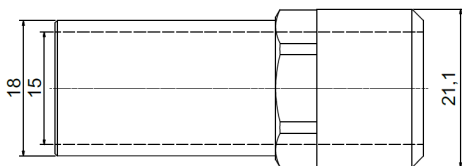
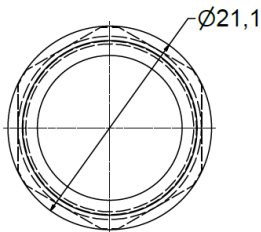
### Ordering Information

Ordering Information	Weight KG	Dimension mm
2813101300	0,040	45x24x24
2813201300	0,050	48x27x27
2813211300	0,065	48x27x27
2813301300	0,068	52x27x27
2813311300	0,073	52x27x27
2813421300	0,125	57x33x33

## Threaded ad. D18-1/2 ISO7R m



- Simple, quick assembly for huge time savings
  - Flexible system for simple release and reconnection
  - Resistant O-ring made from NBR ensures complete impermeability, even if the air contains oil
  - Large number of stainless steel retaining claws hold the pipe securely in the plug Connectors
- 2813101300 Threaded ad. D15-1/2 ISO7R m
  - 2813201300 Threaded ad. D18-1/2 ISO7R m
  - 2813211300 Threaded ad. D18-3/4 ISO7R m
  - 2813301300 Threaded ad. D22-1/2 ISO7R m
  - 2813311300 Threaded ad. D22-3/4 ISO7R m
  - 2813421300 Threaded ad. D28-1 ISO7R m
- Working pressure range : 16 bar at -20 °C to ≤ +50 °C
  - Material: Brass
  - Free of Silicone



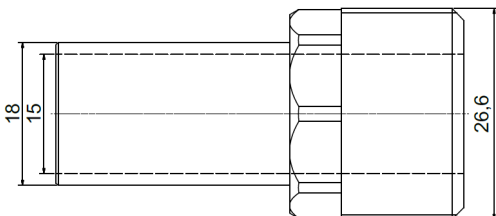
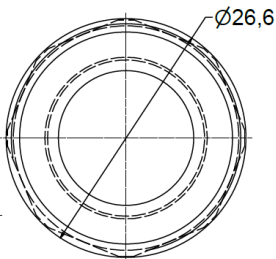
### Ordering Information

Ordering Information	Weight KG	Dimension mm
2813101300	0,040	45x24x24
2813201300	0,050	48x27x27
2813211300	0,065	48x27x27
2813301300	0,068	52x27x27
2813311300	0,073	52x27x27
2813421300	0,125	57x33x33

## Threaded ad. D18-3/4 ISO7R m



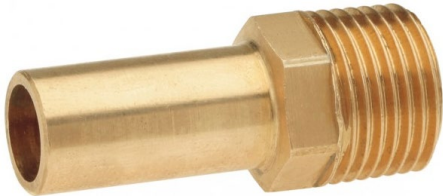
- Simple, quick assembly for huge time savings
  - Flexible system for simple release and reconnection
  - Resistant O-ring made from NBR ensures complete impermeability, even if the air contains oil
  - Large number of stainless steel retaining claws hold the pipe securely in the plug Connectors
- 2813101300 Threaded ad. D15-1/2 ISO7R m
  - 2813201300 Threaded ad. D18-1/2 ISO7R m
  - 2813211300 Threaded ad. D18-3/4 ISO7R m
  - 2813301300 Threaded ad. D22-1/2 ISO7R m
  - 2813311300 Threaded ad. D22-3/4 ISO7R m
  - 2813421300 Threaded ad. D28-1 ISO7R m
- Working pressure range : 16 bar at -20 °C to ≤ +50 °C
  - Material: Brass
  - Free of Silicone



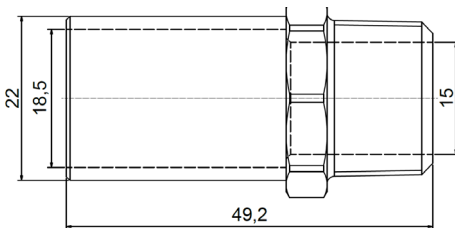
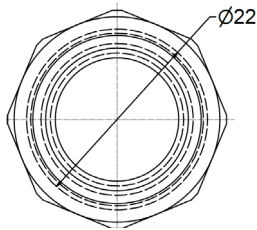
### Ordering Information

Ordering Information	Weight KG	Dimension mm
2813101300	0,040	45x24x24
2813201300	0,050	48x24x24
2813211300	0,065	48x27x27
2813301300	0,068	52x24x24
2813311300	0,073	52x27x27
2813421300	0,125	57x33x33

## Threaded ad. D22-1/2 ISO7R m



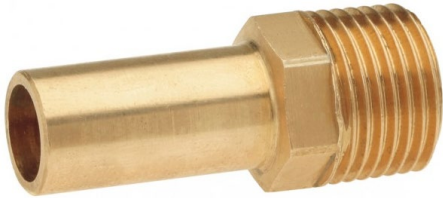
- Simple, quick assembly for huge time savings
  - Flexible system for simple release and reconnection
  - Resistant O-ring made from NBR ensures complete impermeability, even if the air contains oil
  - Large number of stainless steel retaining claws hold the pipe securely in the plug Connectors
- 2813101300 Threaded ad. D15-1/2 ISO7R m
  - 2813201300 Threaded ad. D18-1/2 ISO7R m
  - 2813211300 Threaded ad. D18-3/4 ISO7R m
  - 2813301300 Threaded ad. D22-1/2 ISO7R m
  - 2813311300 Threaded ad. D22-3/4 ISO7R m
  - 2813421300 Threaded ad. D28-1 ISO7R m
- Working pressure range : 16 bar at -20 °C to ≤ +50 °C
  - Material: Brass
  - Free of Silicone



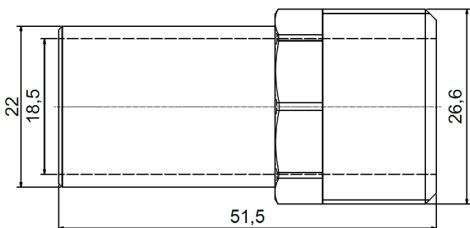
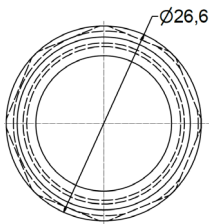
### Ordering Information

Ordering Information	Weight KG	Dimension mm
2813101300	0,040	45x24x24
2813201300	0,050	48x24x24
2813211300	0,065	48x27x27
2813301300	0,068	52x24x24
2813311300	0,073	52x27x27
2813421300	0,125	57x33x33

## Threaded ad. D22-3/4 ISO7R m



- Simple, quick assembly for huge time savings
  - Flexible system for simple release and reconnection
  - Resistant O-ring made from NBR ensures complete impermeability, even if the air contains oil
  - Large number of stainless steel retaining claws hold the pipe securely in the plug Connectors
- 2813101300 Threaded ad. D15-1/2 ISO7R m
  - 2813201300 Threaded ad. D18-1/2 ISO7R m
  - 2813211300 Threaded ad. D18-3/4 ISO7R m
  - 2813301300 Threaded ad. D22-1/2 ISO7R m
  - 2813311300 Threaded ad. D22-3/4 ISO7R m
  - 2813421300 Threaded ad. D28-1 ISO7R m
- Working pressure range : 16 bar at -20 °C to ≤ +50 °C
  - Material: Brass
  - Free of Silicone



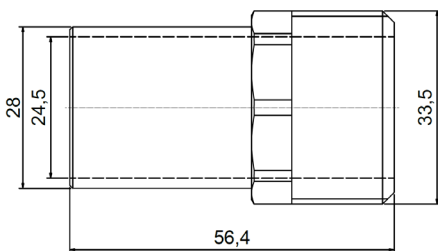
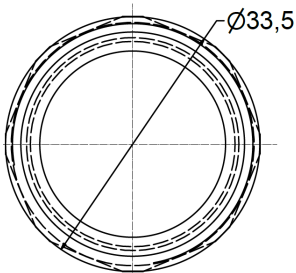
### Ordering Information

Ordering Information	Weight KG	Dimension mm
2813101300	0,040	45x24x24
2813201300	0,050	48x24x24
2813211300	0,065	48x27x27
2813301300	0,068	52x24x24
2813311300	0,073	52x27x27
2813421300	0,125	57x33x33

## Threaded ad. D28-1 ISO7R m



- Simple, quick assembly for huge time savings
  - Flexible system for simple release and reconnection
  - Resistant O-ring made from NBR ensures complete impermeability, even if the air contains oil
  - Large number of stainless steel retaining claws hold the pipe securely in the plug Connectors
- 2813101300 Threaded ad. D15-1/2 ISO7R m
  - 2813201300 Threaded ad. D18-1/2 ISO7R m
  - 2813211300 Threaded ad. D18-3/4 ISO7R m
  - 2813301300 Threaded ad. D22-1/2 ISO7R m
  - 2813311300 Threaded ad. D22-3/4 ISO7R m
  - 2813421300 Threaded ad. D28-1 ISO7R m
- Working pressure range : 16 bar at -20 °C to ≤ +50 °C
  - Material: Brass
  - Free of Silicone



### Ordering Information

Ordering Information	Weight KG	Dimension mm
2813101300	0,040	45x24x24
2813201300	0,050	48x24x24
2813211300	0,065	48x27x27
2813301300	0,068	52x24x24
2813311300	0,073	52x27x27
2813421300	0,125	57x33x33



# Hanger bolt for pipe clamps

- For dismantling the AIRnet Vario system



- Ideal for hard-to-reach places

## Specifications

**length** 80 mm

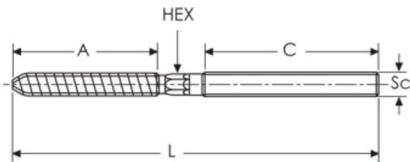
**Size** M8

**Torx size** T25

**Wrench size** 22 mm

**Material** steel

**Wrench size** 6 mm



## Ordering Information

Ordering Information	Weight KG	Dimension mm
2813402800	0,050	80x8x8

# Disassembly pliers D 15

- For dismantling the AIRnet Vario system



- Ideal for hard-to-reach places

## Ordering Information

Ordering Information	Weight KG	Dimension mm
2813102800	0,126	125x42x27

## Disassembly pliers D 22

- For dismantling the AIRnet Vario system



- Ideal for hard-to-reach places

### Ordering Information

Ordering Information	Weight KG	Dimension mm
2813302800	0,129	125x45x34

## Disassembly pliers D 28

- For dismantling the AIRnet Vario system



- Ideal for hard-to-reach places

### Ordering Information

Ordering Information	Weight KG	Dimension mm
2813402800	0,132	125x45x38

## Disassembly clip D 15

- For dismantling the AIRnet Vario system



### Ordering Information

Ordering Information	Weight KG	Dimension mm
2813112800	0,003	29x9x24

## Disassembly clip D 18

- For dismantling the AIRnet Vario system



### Ordering Information

Ordering Information	Weight KG	Dimension mm
2813222800	0,004	36x9x28

## Disassembly clip D 22

- For dismantling the AIRnet Vario system



### Ordering Information

Ordering Information	Weight KG	Dimension mm
2813332800	0,007	43x10x35

## Disassembly clip D 28

- For dismantling the AIRnet Vario system



### Ordering Information

Ordering Information	Weight KG	Dimension mm
2813442800	0,010	55x10x45



# Marking and deburring tool

- Universal tool for chamfering and deburring aluminum pipes



- Also suitable for insertion depth marking
- For notching hard surfaces, e.g. V4A piping

## Ordering Information

Ordering Information	Weight KG	Dimension mm
2813402800	0,070	100x60x34

## Pipe cutter

- 2813034000 Universal tool for cutting aluminum aluminium and stainless steel pipes dia. 15-32 mm
- Also suitable for deburring the inner diameter
- Including deburring mandrel and spare cutting wheel



## Pipe cutter D32 cutting wheel

- 2813044000 1 spare blades for pipe cutter

### Ordering Information

Ordering Information	Weight KG	Dimension mm
2813004000	0,272	148x63x26
2813014000	0,006	18x7x18

## Deburring tool D35



- **Universal tool for chamfering and deburring aluminum and polyamide pipes**
- **Also suitable for stainless steel pipes**

- For deburring the inside and outside diameter
- Particularly high quality thanks to precision knives
- For all diameters 8-35 mm

### Ordering Information

Ordering Information	Weight KG	Dimension mm
2813054000	0,130	49x49x61

## Deburring blade

- For deburring the inner diameter of aluminium pipes



- Blade can be changed easily at the push of a button
- Includes 1 spare blade, which is stowed in the handle
- Max. operating pressure 16 bar
- Free of silicone

### Ordering Information

Ordering Information	Weight KG	Dimension mm
2813064000	0,100	150x30x30

# Anti-friction agent



- For easy installation of compressed air pipes
- Free of silicone

## Specifications

**Volume** 185 ml

## Ordering Information

Ordering Information	Weight KG	Dimension mm
2813074000	0,230	71x81x71

# Pipe sockets **15-22 mm**

Innovative and flexible –  
for greater economic efficiency



Install perfect compressed air outlets in the pipe system for each workplace – versatile pipe sockets are fully compatible with the Schneider airsystems pipe system and various attachment parts, and can be extended by fitting additional outlet components.

# Socket Box 2x1/2

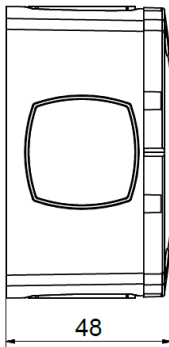
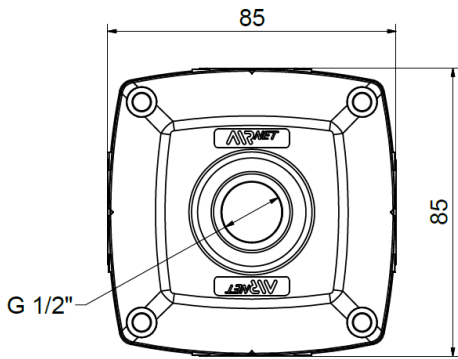


- For installation in piping systems

- Ideal to use as a terminal box
- The cover can be removed and used as a drilling template

## Specifications

<b>Inlet Connection</b>	1 x 1/2" female BSP thread
<b>Outlet Connection</b>	1 x 1/2" female BSP thread
<b>Max. pressure</b>	16 bar at -20°C - +50°C
<b>Material</b>	PA6 GF30
<b>Layer material</b>	Brass



## Ordering Information

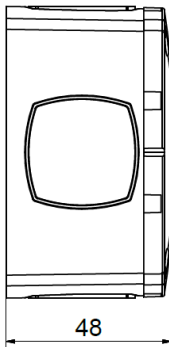
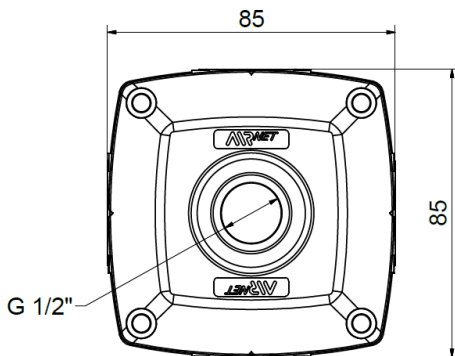
Ordering Information	Weight KG	Dimension mm
2813002580	0,200	85x48x85

# Socket Box 3x1/2



- For installation in piping systems

- Ideal to use as a distribution box
- The cover can be removed and used as a drilling template



## Specifications

<b>Inlet Connection</b>	2 x 1/2" female BSP thread
<b>Outlet Connection</b>	1 x 1/2" female BSP thread
<b>Max. pressure</b>	16 bar at -20°C - +50°C
<b>Material</b>	PA6 GF30
<b>Layer material</b>	Brass

## Ordering Information

Ordering Information	Weight KG	Dimension mm
2813002581	0,225	85x48x85



# Socket Box 4x1/2

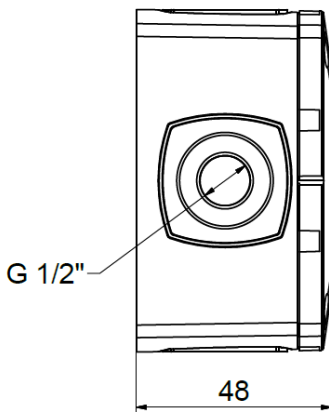
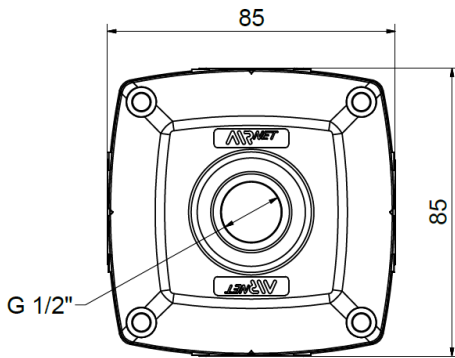


- For installation in piping systems

- Ideal to use as a distribution box
- The cover can be removed and used as a drilling template

## Specifications

<b>Inlet Connection</b>	3 x 1/2" female BSP thread
<b>Outlet Connection</b>	1 x 1/2" female BSP thread
<b>Max. pressure</b>	16 bar at -20°C - +50°C
<b>Material</b>	PA6 GF30
<b>Layer material</b>	Brass



## Ordering Information

Ordering Information	Weight KG	Dimension mm
2813002582	0,250	85x48x85

# Socket Box 6x1/2

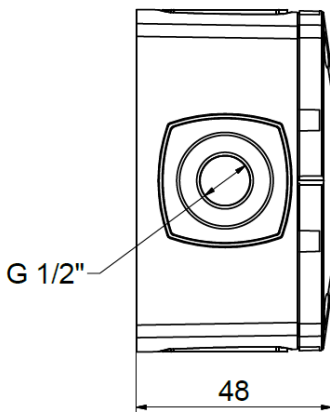
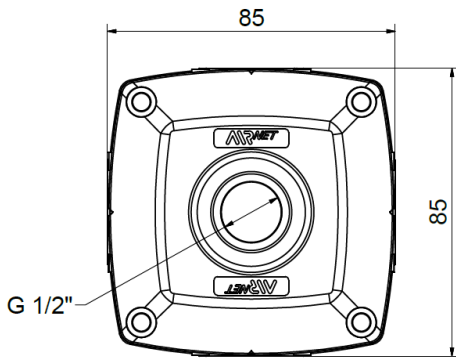


- For installation in piping systems

- Ideal to use as a distribution box
- The cover can be removed and used as a drilling template

## Specifications

<b>Inlet Connection</b>	4 x 1/2" female BSP thread
<b>Outlet Connection</b>	2 x 1/2" female BSP thread (second backside)
<b>Max. pressure</b>	16 bar at -20°C - +50°C
<b>Material</b>	PA6 GF30
<b>Layer material</b>	Brass



## Ordering Information

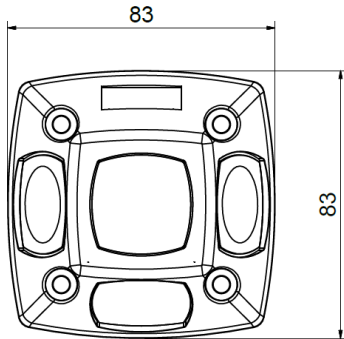
Ordering Information	Weight KG	Dimension mm
2813002583	0,290	85x48x85

# Socket Box Top 2x1/2



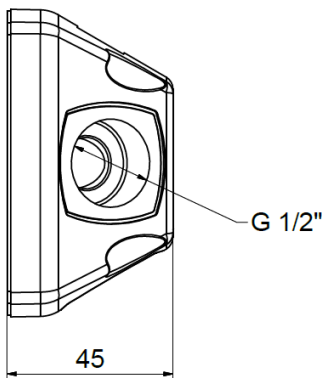
- For installation in piping systems
- Mounted on a base box

- Ideal to use as a terminal box
- Scope of delivery including screws and O-ring



## Specifications

<b>Inlet Connection</b>	1 x 1/2" female BSP thread
<b>Outlet Connection</b>	2 x 1/2" female BSP thread
<b>Max. pressure</b>	16 bar at -20°C - +50°C
<b>Material</b>	PA6 GF30
<b>Layer material</b>	Brass



## Ordering Information

Ordering Information	Weight KG	Dimension mm
2813002680	0,202	83x45x83

# Hoses and workshop equipment

For a perfectly organised workplace



For private use and professional workshop applications – hard-wearing fabric hoses, flexible Super-Flex hoses or durable polyurethane hoses for every application. For optimal workplace organisation and ergonomic work – hose rewinders, power and air supply units and tractions.

## SH PA-QRC-E-8bar 8-6/5m



- With rotary quick-action coupling and plug nipple, ready for immediate use
  - Bend protection at the spiral hose ends for an extended service life and constant air flow
  - Particularly suitable for tractions due to high reset force
- 
- Max. operating pressure 8 bar at 20 °C

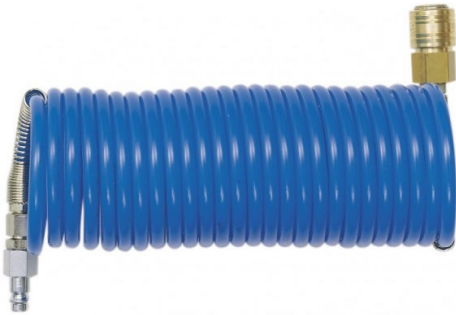
### Specifications

Operating pressure	0-8 bar
Hose outer diameter	8 mm
Hose inner diameter	6 mm
Hose length	5 m
Material of hose	PA
Connection inlet	PN Euro profile
Connection outlet	Quick release coupling Euro profile 7.2

### Ordering Information

Ordering Information	Weight KG
2813 9400 00	0,36

# SH PA-QRC-E-8bar 8-6/7,5m



- With rotary quick-action coupling and plug nipple, ready for immediate use
  - Bend protection at the spiral hose ends for an extended service life and constant air flow
  - Particularly suitable for tractions due to high reset force
- 
- Max. operating pressure 8 bar at 20 °C

## Specifications

<b>Operating pressure</b>	0-8 bar
<b>Hose outer diameter</b>	8 mm
<b>Hose inner diameter</b>	6 mm
<b>Hose length</b>	7,5 m
<b>Material of hose</b>	PA
<b>Connection inlet</b>	PN Euro profile
<b>Connection outlet</b>	Quick release coupling Euro profile 7.2

## Ordering Information

Ordering Information	Weight KG
2813 9400 01	0,46

# SH PA-QRC-E-8bar 8-6/15m



- With rotary quick-action coupling and plug nipple, ready for immediate use
  - Bend protection at the spiral hose ends for an extended service life and constant air flow
  - Particularly suitable for tractions due to high reset force
- 
- Max. operating pressure 8 bar at 20 °C

## Specifications

<b>Operating pressure</b>	0-8 bar
<b>Hose outer diameter</b>	8 mm
<b>Hose inner diameter</b>	6 mm
<b>Hose length</b>	15 m
<b>Material of hose</b>	PA
<b>Connection inlet</b>	PN Euro profile
<b>Connection outlet</b>	Quick release coupling Euro profile 7.2

## Ordering Information

Ordering Information	Weight KG
2813 9400 02	0,80

# SH PA-QRC-U-8bar 8-6/5m



- With rotary quick-action coupling and plug nipple, ready for immediate use
  - Bend protection at the spiral hose ends for an extended service life and constant air flow
  - Particularly suitable for tractions due to high reset force
- 
- Max. operating pressure 8 bar at 20 °C

## Specifications

<b>Operating pressure</b>	0-8 bar
<b>Hose outer diameter</b>	8 mm
<b>Hose inner diameter</b>	6 mm
<b>Hose length</b>	5 m
<b>Material of hose</b>	PA
<b>Connection inlet</b>	PN Euro profile
<b>Connection outlet</b>	Quick release coupling Universal profile

## Ordering Information

Ordering Information	Weight KG
2813 9400 04	0,36



## SH PA-QRC-U-8bar 8-6/10m



- With rotary quick-action coupling and plug nipple, ready for immediate use
  - Bend protection at the spiral hose ends for an extended service life and constant air flow
  - Particularly suitable for tractions due to high reset force
- 
- Max. operating pressure 8 bar at 20 °C

### Specifications

Operating pressure	0-8 bar
Hose outer diameter	8 mm
Hose inner diameter	6 mm
Hose length	10 m
Material of hose	PA
Connection inlet	PN Euro profile
Connection outlet	Quick release coupling Universal profile

### Ordering Information

Ordering Information	Weight KG
2813 9400 05	0,46

# SH PA-QRC-U-8bar 8-6/15m



- With rotary quick-action coupling and plug nipple, ready for immediate use
  - Bend protection at the spiral hose ends for an extended service life and constant air flow
  - Particularly suitable for tractions due to high reset force
- 
- Max. operating pressure 8 bar at 20 °C

## Specifications

Operating pressure	0-8 bar
Hose outer diameter	8 mm
Hose inner diameter	6 mm
Hose length	15 m
Material of hose	PA
Connection inlet	PN Euro profile
Connection outlet	Quick release coupling Universal profile

## Ordering Information

Ordering Information	Weight KG
2813 9400 06	0,80

# SH PA-QRC-BJ-8bar 8-6/5m



- With bayonet profile and plug nipple, ready for immediate use
- Max. operating pressure 8 bar at 20 °C

## Specifications

<b>Operating pressure</b>	0-8 bar
<b>Hose outer diameter</b>	8 mm
<b>Hose inner diameter</b>	6 mm
<b>Hose length</b>	5 m
<b>Material of hose</b>	PA
<b>Connection inlet</b>	PN Euro profile
<b>Connection outlet</b>	Bayonet profile

## Ordering Information

Ordering Information	Weight KG
2813 9400 07	0,33

# SH PA-QRC-BJ-8bar 8-6/10m



- With bayonet profile and plug nipple, ready for immediate use
- Max. operating pressure 8 bar at 20 °C

## Specifications

<b>Operating pressure</b>	0-8 bar
<b>Hose outer diameter</b>	8 mm
<b>Hose inner diameter</b>	6 mm
<b>Hose length</b>	10 m
<b>Material of hose</b>	PA
<b>Connection inlet</b>	PN Euro profile
<b>Connection outlet</b>	Bayonet profile

## Ordering Information

Ordering Information	Weight KG
2813 9400 08	0,43

# SH PA-QRC-BJ-8bar 8-6/15m



- With bayonet profile and plug nipple, ready for immediate use
- Max. operating pressure 8 bar at 20 °C

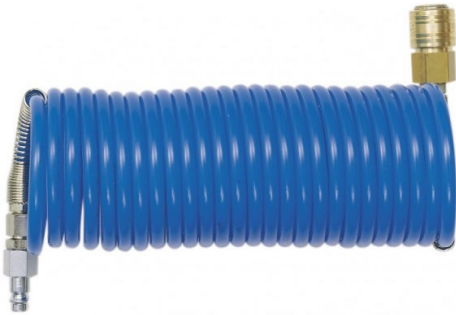
## Specifications

<b>Operating pressure</b>	0-8 bar
<b>Hose outer diameter</b>	8 mm
<b>Hose inner diameter</b>	6 mm
<b>Hose length</b>	15 m
<b>Material of hose</b>	PA
<b>Connection inlet</b>	PN Euro profile
<b>Connection outlet</b>	Bayonet profile

## Ordering Information

Ordering Information	Weight KG
2813 9400 09	0,77

# SH PA-QRC-E-8bar 10-8/10m



- With rotary quick-action coupling and plug nipple, ready for immediate use
  - Bend protection at the spiral hose ends for an extended service life and constant air flow
  - Particularly suitable for tractions due to high reset force
- 
- Max. operating pressure 8 bar at 20 °C

## Specifications

<b>Operating pressure</b>	0-8 bar
<b>Hose outer diameter</b>	10 mm
<b>Hose inner diameter</b>	8 mm
<b>Hose length</b>	10 m
<b>Material of hose</b>	PA
<b>Connection inlet</b>	PN Euro profile
<b>Connection outlet</b>	Quick release coupling Euro profile 7.2

## Ordering Information

Ordering Information	Weight KG
2813 9400 03	0,68

# SH PUR-QRC-E-8bar 10-6,5/6m



- **With rotary quick-action coupling and plug nipple, ready for immediate use**
  - **Bend protection at the spiral hose ends for an extended service life and constant air flow**
  - **Small winding diameter saves space**
  - **Particularly abrasion-resistant and very resilient**
  - **No remaining cross-section reductions upon bending**
- Connections with swivel joints
  - Max. operating pressure 8 bar at 20 °C

## Specifications

<b>Operating pressure</b>	0-8 bar
<b>Hose outer diameter</b>	10 mm
<b>Hose inner diameter</b>	6,5 mm
<b>Hose length</b>	6 m
<b>Material of hose</b>	PUR
<b>Connection inlet</b>	PN Euro profile
<b>Connection outlet</b>	Quick release coupling Euro profile 7.2

## Ordering Information

Ordering Information	Weight KG
2813 9400 10	0,80

# SH PUR-QRC-E-8bar 10-6,5/7,5m



- **With rotary quick-action coupling and plug nipple, ready for immediate use**
  - **Bend protection at the spiral hose ends for an extended service life and constant air flow**
  - **Small winding diameter saves space**
  - **Particularly abrasion-resistant and very resilient**
  - **No remaining cross-section reductions upon bending**
- Connections with swivel joints
  - Max. operating pressure 8 bar at 20 °C

## Specifications

<b>Operating pressure</b>	0-8 bar
<b>Hose outer diameter</b>	10 mm
<b>Hose inner diameter</b>	6,5 mm
<b>Hose length</b>	7,5 m
<b>Material of hose</b>	PUR
<b>Connection inlet</b>	PN Euro profile
<b>Connection outlet</b>	Quick release coupling Euro profile 7.2

## Ordering Information

Ordering Information	Weight KG
2813 9400 11	0,85



# SH PUR-Rp3/8-8bar 10-6,5/7,5m



- Bend protection at the spiral hose ends for an extended service life and constant air flow
  - Small winding diameter saves space
  - Particularly abrasion-resistant and very resilient
  - No remaining cross-section reductions upon bending
- 
- Connections with swivel joints
  - Max. operating pressure 8 bar at 20 °C

## Specifications

Operating pressure	0-8 bar
Hose outer diameter	10 mm
Hose inner diameter	6,5 mm
Hose length	7,5 m
Material of hose	PUR
Connection inlet	3/8" male
Connection outlet	3/8" male

## Ordering Information

Ordering Information	Weight KG
2813 9400 14	0,70

# SH PUR-QRC-E-8bar 12-8/6m



- **With rotary quick-action coupling and plug nipple, ready for immediate use**
  - **Bend protection at the spiral hose ends for an extended service life and constant air flow**
  - **Small winding diameter saves space**
  - **Particularly abrasion-resistant and very resilient**
  - **No remaining cross-section reductions upon bending**
- Connections with swivel joints
  - Max. operating pressure 8 bar at 20 °C

## Specifications

<b>Operating pressure</b>	0-8 bar
<b>Hose outer diameter</b>	12 mm
<b>Hose inner diameter</b>	8 mm
<b>Hose length</b>	6 m
<b>Material of hose</b>	PUR
<b>Connection inlet</b>	PN Euro profile
<b>Connection outlet</b>	Quick release coupling Euro profile 7.2

## Ordering Information

Ordering Information	Weight KG
2813 9400 12	0,98

# SH PUR-QRC-E-8bar 12-8/7,5m



- **With rotary quick-action coupling and plug nipple, ready for immediate use**
  - **Bend protection at the spiral hose ends for an extended service life and constant air flow**
  - **Small winding diameter saves space**
  - **Particularly abrasion-resistant and very resilient**
  - **No remaining cross-section reductions upon bending**
- Connections with swivel joints
  - Max. operating pressure 8 bar at 20 °C

## Specifications

<b>Operating pressure</b>	0-8 bar
<b>Hose outer diameter</b>	12 mm
<b>Hose inner diameter</b>	8 mm
<b>Hose length</b>	7,5 m
<b>Material of hose</b>	PUR
<b>Connection inlet</b>	PN Euro profile
<b>Connection outlet</b>	Quick release coupling Euro profile 7.2

## Ordering Information

Ordering Information	Weight KG
2813 9400 13	1,00

# SH PUR-8bar 12-8/6m



- Bend protection at the spiral hose ends for an extended service life and constant air flow
  - Small winding diameter saves space
  - Particularly abrasion-resistant and very resilient
  - No remaining cross-section reductions upon bending
- 
- Connections with swivel joints
  - Max. operating pressure 8 bar at 20 °C

## Specifications

Operating pressure	0-8 bar
Hose outer diameter	12 mm
Hose inner diameter	8 mm
Hose length	6 m
Material of hose	PUR
Connection inlet	3/8" male
Connection outlet	3/8" male

## Ordering Information

Ordering Information	Weight KG
2813 9400 15	0,90

# SH PUR-15bar 16-10/5m



- Bend protection at the spiral hose ends for an extended service life and constant air flow
- Small winding diameter saves space
- Particularly abrasion-resistant and very resilient
- No remaining cross-section reductions upon bending

- Connections with swivel joints
- Max. operating pressure 15 bar at 20 °C

## Specifications

Operating pressure	0-15 bar
Hose outer diameter	16 mm
Hose inner diameter	10 mm
Hose length	5 m
Material of hose	PUR
Connection inlet	PN Euro profile
Connection outlet	Quick release coupling Universal profile

## Ordering Information

Ordering Information	Weight KG
2813 9400 16	0,82

## SH PUR-15bar 16-10/10m



- Bend protection at the spiral hose ends for an extended service life and constant air flow
- Small winding diameter saves space
- Particularly abrasion-resistant and very resilient
- No remaining cross-section reductions upon bending

- Connections with swivel joints
- Max. operating pressure 15 bar at 20 °C

### Specifications

Operating pressure	0-15 bar
Hose outer diameter	16 mm
Hose inner diameter	10 mm
Hose length	10 m
Material of hose	PUR
Connection inlet	PN Euro profile
Connection outlet	Quick release coupling Universal profile

### Ordering Information

Ordering Information	Weight KG
2813 9400 16	1,62

## H PVC-QRC-E-15bar 11-6/5m



- Particularly resistant against compressed air containing oil
- Max. operating pressure 15 bar at 20 °C

### Specifications

<b>Operating pressure</b>	0-15 bar
<b>Hose outer diameter</b>	11 mm
<b>Hose inner diameter</b>	6 mm
<b>Hose length</b>	5 m
<b>Material of hose</b>	PVC
<b>Connection inlet</b>	PN Euro profile
<b>Connection outlet</b>	Quick release coupling Euro profile 7.2

### Ordering Information

Ordering Information	Weight KG
2813 9300 00	0,52

# H PVC-QRC-U-15bar 11-6/5m



- Particularly resistant against compressed air containing oil
- Max. operating pressure 15 bar at 20 °C

## Specifications

<b>Operating pressure</b>	0-15 bar
<b>Hose outer diameter</b>	11 mm
<b>Hose inner diameter</b>	6 mm
<b>Hose length</b>	5 m
<b>Material of hose</b>	PVC
<b>Connection inlet</b>	PN Euro profile
<b>Connection outlet</b>	Quick release coupling Universal profile

## Ordering Information

Ordering Information	Weight KG
2813 9300 05	0,52



## H PVC-QRC-E-15bar 11-6/10m



- Particularly resistant against compressed air containing oil
- Max. operating pressure 15 bar at 20 °C

### Specifications

<b>Operating pressure</b>	0-15 bar
<b>Hose outer diameter</b>	11 mm
<b>Hose inner diameter</b>	6 mm
<b>Hose length</b>	10 m
<b>Material of hose</b>	PVC
<b>Connection inlet</b>	PN Euro profile
<b>Connection outlet</b>	Quick release coupling Euro profile 7.2

### Ordering Information

Ordering Information	Weight KG
2813 9300 01	0,96

# H PVC-QRC-U-15bar 11-6/10m



- Particularly resistant against compressed air containing oil
- Max. operating pressure 15 bar at 20 °C

## Specifications

<b>Operating pressure</b>	0-15 bar
<b>Hose outer diameter</b>	11 mm
<b>Hose inner diameter</b>	6 mm
<b>Hose length</b>	10 m
<b>Material of hose</b>	PVC
<b>Connection inlet</b>	PN Euro profile
<b>Connection outlet</b>	Quick release coupling Universal profile

## Ordering Information

Ordering Information	Weight KG
2813 9300 06	0,96

# H PVC-QRC-E-15bar 11-6/25m



- Particularly resistant against compressed air containing oil
- Max. operating pressure 15 bar at 20 °C

## Specifications

Operating pressure	0-15 bar
Hose outer diameter	11 mm
Hose inner diameter	6 mm
Hose length	25 m
Material of hose	PVC
Connection inlet	-
Connection outlet	-

## Ordering Information

Ordering Information	Weight KG
2813 9300 15	2,10

## H PVC-QRC-E-15bar 11-6/50m



- Particularly resistant against compressed air containing oil
- Max. operating pressure 15 bar at 20 °C

### Specifications

Operating pressure	0-15 bar
Hose outer diameter	11 mm
Hose inner diameter	6 mm
Hose length	50 m
Material of hose	PVC
Connection inlet	-
Connection outlet	-

### Ordering Information

Ordering Information	Weight KG
2813 9300 16	4,30

## H PVC-QRC-E-15bar 15-9/5m



- Particularly resistant against compressed air containing oil
- Max. operating pressure 15 bar at 20 °C

### Specifications

<b>Operating pressure</b>	0-15 bar
<b>Hose outer diameter</b>	15 mm
<b>Hose inner diameter</b>	9 mm
<b>Hose length</b>	5 m
<b>Material of hose</b>	PVC
<b>Connection inlet</b>	PN Euro profile
<b>Connection outlet</b>	Quick release coupling Euro profile 7.2

### Ordering Information

Ordering Information	Weight KG
2813 9300 02	0,83

# H PVC-QRC-U-15bar 15-9/5m



- Particularly resistant against compressed air containing oil
- Max. operating pressure 15 bar at 20 °C

## Specifications

<b>Operating pressure</b>	0-15 bar
<b>Hose outer diameter</b>	15 mm
<b>Hose inner diameter</b>	9 mm
<b>Hose length</b>	5 m
<b>Material of hose</b>	PVC
<b>Connection inlet</b>	PN Euro profile
<b>Connection outlet</b>	Quick release coupling Universal profile

## Ordering Information

Ordering Information	Weight KG
2813 9300 07	0,83

## H PVC-QRC-E-15bar 15-9/10m



- Particularly resistant against compressed air containing oil
- Max. operating pressure 15 bar at 20 °C

### Specifications

<b>Operating pressure</b>	0-15 bar
<b>Hose outer diameter</b>	15 mm
<b>Hose inner diameter</b>	9 mm
<b>Hose length</b>	10 m
<b>Material of hose</b>	PVC
<b>Connection inlet</b>	PN Euro profile
<b>Connection outlet</b>	Quick release coupling Euro profile 7.2

### Ordering Information

Ordering Information	Weight KG
2813 9300 03	1,49

# H PVC-QRC-U-15bar 15-9/10m



- Particularly resistant against compressed air containing oil
- Max. operating pressure 15 bar at 20 °C

## Specifications

<b>Operating pressure</b>	0-15 bar
<b>Hose outer diameter</b>	15 mm
<b>Hose inner diameter</b>	9 mm
<b>Hose length</b>	10 m
<b>Material of hose</b>	PVC
<b>Connection inlet</b>	PN Euro profile
<b>Connection outlet</b>	Quick release coupling Universal profile

## Ordering Information

Ordering Information	Weight KG
2813 9300 08	1,49



## H PVC-15bar 15-9/25m



- Particularly resistant against compressed air containing oil
- Max. operating pressure 15 bar at 20 °C

### Specifications

Operating pressure	0-15 bar
Hose outer diameter	15 mm
Hose inner diameter	9 mm
Hose length	25 m
Material of hose	PVC
Connection inlet	-
Connection outlet	-

### Ordering Information

Ordering Information	Weight KG
2813 9300 17	3,40

## H PVC-15bar 15-9/50m



- Particularly resistant against compressed air containing oil
- Max. operating pressure 15 bar at 20 °C

### Specifications

Operating pressure	0-15 bar
Hose outer diameter	15 mm
Hose inner diameter	9 mm
Hose length	50 m
Material of hose	PVC
Connection inlet	-
Connection outlet	-

### Ordering Information

Ordering Information	Weight KG
2813 9300 18	7,2

# H PVC-QRC-E-15bar 18-13/5m



- Particularly resistant against compressed air containing oil
- Max. operating pressure 15 bar at 20 °C

## Specifications

<b>Operating pressure</b>	0-15 bar
<b>Hose outer diameter</b>	18 mm
<b>Hose inner diameter</b>	13 mm
<b>Hose length</b>	10 m
<b>Material of hose</b>	PVC
<b>Connection inlet</b>	PN Euro profile
<b>Connection outlet</b>	Quick release coupling Euro profile 7.2

## Ordering Information

Ordering Information	Weight KG
2813 9300 04	2,00

# H PVC-QRC-U-15bar 18-13/10m



- Particularly resistant against compressed air containing oil
- Max. operating pressure 15 bar at 20 °C

## Specifications

<b>Operating pressure</b>	0-15 bar
<b>Hose outer diameter</b>	18 mm
<b>Hose inner diameter</b>	13 mm
<b>Hose length</b>	10 m
<b>Material of hose</b>	PVC
<b>Connection inlet</b>	PN Euro profile
<b>Connection outlet</b>	Quick release coupling Universal profile

## Ordering Information

Ordering Information	Weight KG
2813 9300 09	2,00

## H PVC-15bar 18-13/25m



- Particularly resistant against compressed air containing oil
- Max. operating pressure 15 bar at 20 °C

### Specifications

Operating pressure	0-15 bar
Hose outer diameter	18 mm
Hose inner diameter	13 mm
Hose length	25 m
Material of hose	PVC
Connection inlet	-
Connection outlet	-

### Ordering Information

Ordering Information	Weight KG
2813 9300 19	4,80

## H PVC-15bar 18-13/50m



- Particularly resistant against compressed air containing oil
- Max. operating pressure 15 bar at 20 °C

### Specifications

Operating pressure	0-15 bar
Hose outer diameter	18 mm
Hose inner diameter	13 mm
Hose length	50 m
Material of hose	PVC
Connection inlet	-
Connection outlet	-

### Ordering Information

Ordering Information	Weight KG
2813 9300 20	9,40

# H PVC-QRC-E-OR-15bar 15-9/10m



- Extremely resistant against compressed air containing oil
- Max. operating pressure 15 bar at 20 °C

## Specifications

<b>Operating pressure</b>	0-15 bar
<b>Hose outer diameter</b>	15 mm
<b>Hose inner diameter</b>	9 mm
<b>Hose length</b>	10 m
<b>Material of hose</b>	PVC
<b>Connection inlet</b>	PN Euro profile
<b>Connection outlet</b>	Quick release coupling Euro profile 7.2

## Ordering Information

Ordering Information	Weight KG
2813 9300 10	1,43

# H PVC-OR-15bar 15-9/25m



- Extremely resistant against compressed air containing oil
- Max. operating pressure 15 bar at 20 °C

## Specifications

Operating pressure	0-15 bar
Hose outer diameter	15 mm
Hose inner diameter	9 mm
Hose length	25 m
Material of hose	PVC
Connection inlet	-
Connection outlet	-

## Ordering Information

Ordering Information	Weight KG
2813 9300 21	3,40



# H PVC-QRC-E-SF-15bar 11-6/5m



- Reinforced external material for greater resistance to ageing and protection against compressed air containing oil
- Extremely flexible, even at low temperatures

- PVC hose with fabric inlay
- Max. operating pressure 15 bar at 20 °C

## Specifications

<b>Operating pressure</b>	0-15 bar
<b>Hose outer diameter</b>	11 mm
<b>Hose inner diameter</b>	6,3 mm
<b>Hose length</b>	5 m
<b>Material of hose</b>	PVC
<b>Connection inlet</b>	PN Euro profile
<b>Connection outlet</b>	Quick release coupling Euro profile 7.2

## Ordering Information

Ordering Information	Weight KG
2813 9300 11	0,52

## H PVC-QRC-E-SF-15bar 11-6/10m



- Reinforced external material for greater resistance to ageing and protection against compressed air containing oil
- Extremely flexible, even at low temperatures

- PVC hose with fabric inlay
- Max. operating pressure 15 bar at 20 °C

### Specifications

<b>Operating pressure</b>	0-15 bar
<b>Hose outer diameter</b>	11 mm
<b>Hose inner diameter</b>	6,3 mm
<b>Hose length</b>	10 m
<b>Material of hose</b>	PVC
<b>Connection inlet</b>	PN Euro profile
<b>Connection outlet</b>	Quick release coupling Euro profile 7.2

### Ordering Information

Ordering Information	Weight KG
2813 9300 12	0,87

## H PVC-SF-15bar 11-6/25m



- Reinforced external material for greater resistance to ageing and protection against compressed air containing oil
- Extremely flexible, even at low temperatures

- PVC hose with fabric inlay
- Max. operating pressure 15 bar at 20 °C

### Specifications

Operating pressure	0-15 bar
Hose outer diameter	11 mm
Hose inner diameter	6,3 mm
Hose length	25 m
Material of hose	PVC
Connection inlet	-
Connection outlet	-

### Ordering Information

Ordering Information	Weight KG
2813 9300 22	1,90

## H PVC-SF-15bar 11-6/50m



- Reinforced external material for greater resistance to ageing and protection against compressed air containing oil
- Extremely flexible, even at low temperatures

- PVC hose with fabric inlay
- Max. operating pressure 15 bar at 20 °C

### Specifications

Operating pressure	0-15 bar
Hose outer diameter	11 mm
Hose inner diameter	6,3 mm
Hose length	50 m
Material of hose	PVC
Connection inlet	-
Connection outlet	-

### Ordering Information

Ordering Information	Weight KG
2813 9300 23	4,10

# H PVC-QRC-E-SF-15bar 15-10/5m



- Reinforced external material for greater resistance to ageing and protection against compressed air containing oil
- Extremely flexible, even at low temperatures

- PVC hose with fabric inlay
- Max. operating pressure 15 bar at 20 °C

## Specifications

<b>Operating pressure</b>	0-15 bar
<b>Hose outer diameter</b>	15,5 mm
<b>Hose inner diameter</b>	10 mm
<b>Hose length</b>	5 m
<b>Material of hose</b>	PVC
<b>Connection inlet</b>	PN Euro profile
<b>Connection outlet</b>	Quick release coupling Euro profile 7.2

## Ordering Information

Ordering Information	Weight KG
2813 9300 13	0,79

# H PVC-QRC-E-SF-15bar 15-10/10m



- Reinforced external material for greater resistance to ageing and protection against compressed air containing oil
- Extremely flexible, even at low temperatures

- PVC hose with fabric inlay
- Max. operating pressure 15 bar at 20 °C

## Specifications

<b>Operating pressure</b>	0-15 bar
<b>Hose outer diameter</b>	15,5 mm
<b>Hose inner diameter</b>	10 mm
<b>Hose length</b>	10 m
<b>Material of hose</b>	PVC
<b>Connection inlet</b>	PN Euro profile
<b>Connection outlet</b>	Quick release coupling Euro profile 7.2

## Ordering Information

Ordering Information	Weight KG
2813 9300 14	1,44

## H PVC-SF-15bar 15-10/25m



- Reinforced external material for greater resistance to ageing and protection against compressed air containing oil
- Extremely flexible, even at low temperatures

- PVC hose with fabric inlay
- Max. operating pressure 15 bar at 20 °C

### Specifications

**Operating pressure** 0-15 bar

**Hose outer diameter** 15,5 mm

**Hose inner diameter** 10 mm

**Hose length** 25 m

**Material of hose** PVC

**Connection inlet** -

**Connection outlet** -

### Ordering Information

Ordering Information	Weight KG
----------------------	-----------

2813 9300 24	3,60
--------------	------

## H PVC-SF-15bar 15-10/50m



- Reinforced external material for greater resistance to ageing and protection against compressed air containing oil
- Extremely flexible, even at low temperatures

- PVC hose with fabric inlay
- Max. operating pressure 15 bar at 20 °C

### Specifications

**Operating pressure** 0-15 bar

**Hose outer diameter** 15,5 mm

**Hose inner diameter** 10 mm

**Hose length** 50 m

**Material of hose** PVC

**Connection inlet** -

**Connection outlet** -

### Ordering Information

Ordering Information	Weight KG
----------------------	-----------

2813 9300 25	6,60
--------------	------



# H PVC-SF-15bar 19-13/25m



- Reinforced external material for greater resistance to ageing and protection against compressed air containing oil
- Extremely flexible, even at low temperatures

- PVC hose with fabric inlay
- Max. operating pressure 15 bar at 20 °C

## Specifications

Operating pressure	0-15 bar
Hose outer diameter	19 mm
Hose inner diameter	12,7 mm
Hose length	25 m
Material of hose	PVC
Connection inlet	-
Connection outlet	-

## Ordering Information

Ordering Information	Weight KG
2813 9300 26	4,60

## H PVC-SF-15bar 19-13/50m



- Reinforced external material for greater resistance to ageing and protection against compressed air containing oil
- Extremely flexible, even at low temperatures

- PVC hose with fabric inlay
- Max. operating pressure 15 bar at 20 °C

### Specifications

Operating pressure	0-15 bar
Hose outer diameter	19 mm
Hose inner diameter	12,7 mm
Hose length	50 m
Material of hose	PVC
Connection inlet	-
Connection outlet	-

### Ordering Information

Ordering Information	Weight KG
2813 9300 27	9,40

## H PVC-SF-15bar 27-19/25m



- Reinforced external material for greater resistance to ageing and protection against compressed air containing oil
- Extremely flexible, even at low temperatures

- PVC hose with fabric inlay
- Max. operating pressure 15 bar at 20 °C

### Specifications

Operating pressure	0-15 bar
Hose outer diameter	27 mm
Hose inner diameter	19 mm
Hose length	25 m
Material of hose	PVC
Connection inlet	-
Connection outlet	-

### Ordering Information

Ordering Information	Weight KG
2813 9300 28	9,00

## H PVC-SF-15bar 27-19/50m



- Reinforced external material for greater resistance to ageing and protection against compressed air containing oil
- Extremely flexible, even at low temperatures

- PVC hose with fabric inlay
- Max. operating pressure 15 bar at 20 °C

### Specifications

Operating pressure	0-15 bar
Hose outer diameter	27 mm
Hose inner diameter	19 mm
Hose length	50 m
Material of hose	PVC
Connection inlet	-
Connection outlet	-

### Ordering Information

Ordering Information	Weight KG
2813 9300 29	18,0

# H PVC-SF-40bar 16-10/50m



- High-pressure version for pressure up to 40 bar
- Particularly suitable for connecting pneumatic tools outdoors
- Extremely flexible, even at low temperatures
- For temperature range from -15 °C to +60 °C

- PVC hose with reinforced polyester threads, smooth hose core and UV-resistant outer lining
- Max. operating pressure 40 bar at 20 °C

## Specifications

**Operating pressure** 0-40 bar

**Hose outer diameter** 16 mm

**Hose inner diameter** 9 mm

**Hose length** 50 m

**Material of hose** PVC

**Connection inlet** -

**Connection outlet** -

## Ordering Information

Ordering Information	Weight KG
----------------------	-----------

2813 9300 30	7,80
--------------	------

# H PVC-SF-40bar 21-13/50m



- High-pressure version for pressure up to 40 bar
- Particularly suitable for connecting pneumatic tools outdoors
- Extremely flexible, even at low temperatures
- For temperature range from -15 °C to +60 °C

- PVC hose with reinforced polyester threads, smooth hose core and UV-resistant outer lining
- Max. operating pressure 40 bar at 20 °C

## Specifications

**Operating pressure** 0-40 bar

**Hose outer diameter** 21 mm

**Hose inner diameter** 13 mm

**Hose length** 50 m

**Material of hose** PVC

**Connection inlet** -

**Connection outlet** -

## Ordering Information

Ordering Information	Weight KG
----------------------	-----------

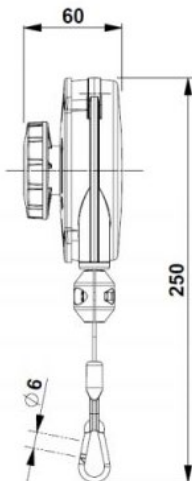
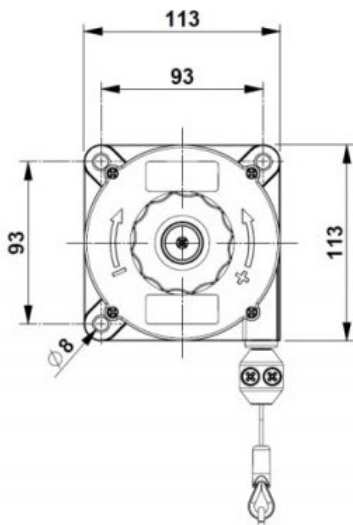
2813 9300 31	10,30
--------------	-------

## EQ SST-0,4-1,0kg



- For all types of portable devices and tools
- Fully fitted with safety cable, terminal block and snap hook
- High degree of flexibility because the spring tension on the housing can be used to set and adjust the required load capacity

- Compact, with robust Aluminium housing
- Rubber buffer at the end



### Specifications

Carrying power min.	0,4 kg
Carrying power max.	1,0 kg
Stroke length	1,6 m
Cable dia.	2 mm
Dimension	113x60x250 mm

### Ordering Information

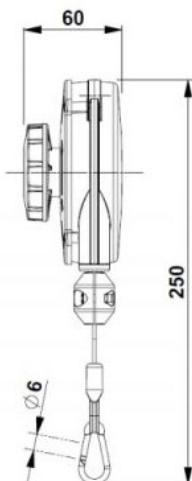
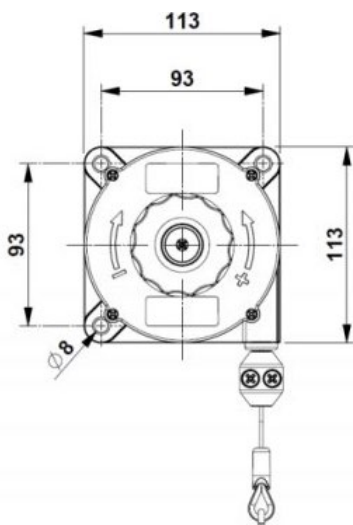
Ordering Information	Weight KG
2813 9600 00	0,63

## EQ SST-1,0-2,0kg



- For all types of portable devices and tools
- Fully fitted with safety cable, terminal block and snap hook
- High degree of flexibility because the spring tension on the housing can be used to set and adjust the required load capacity

- Compact, with robust Aluminium housing
- Rubber buffer at the end



### Specifications

Carrying power min.	1,0 kg
Carrying power max.	2,0 kg
Stroke length	1,6 m
Cable dia.	2 mm
Dimension	113x60x250 mm

### Ordering Information

Ordering Information	Weight KG
2813 9600 01	0,67

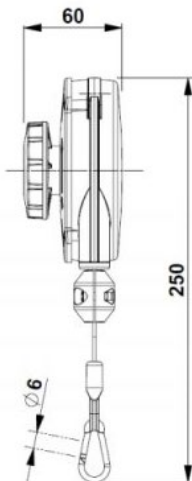
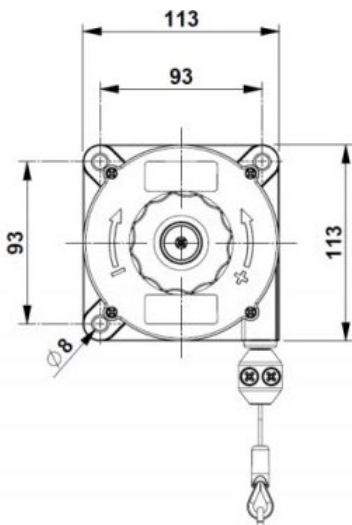


## EQ SST-2,0-3,0kg



- For all types of portable devices and tools
- Fully fitted with safety cable, terminal block and snap hook
- High degree of flexibility because the spring tension on the housing can be used to set and adjust the required load capacity

- Compact, with robust Aluminium housing
- Rubber buffer at the end



### Specifications

Carrying power min.	2,0 kg
Carrying power max.	3,0 kg
Stroke length	1,6 m
Cable dia.	2 mm
Dimension	113x60x250 mm

### Ordering Information

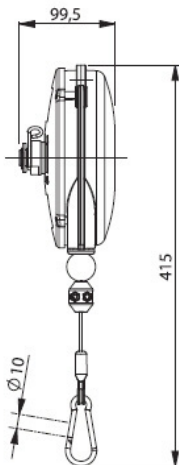
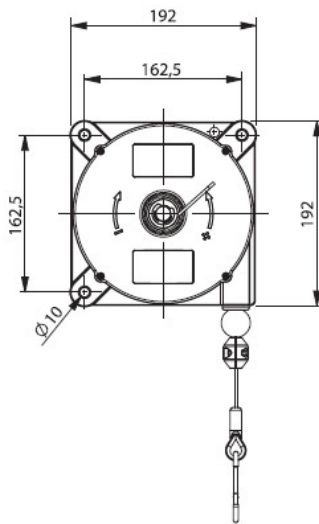
Ordering Information	Weight KG
2813 9600 02	0,79

# EQ SST-2,0-4,0kg



- For all types of portable devices and tools
- Fully fitted with safety cable, terminal block and snap hook
- High degree of flexibility because the spring tension on the housing can be used to set and adjust the required load capacity

- Compact, with robust Aluminium housing
- Rubber buffer at the end



## Specifications

Carrying power min.	2,0 kg
Carrying power max.	4,0 kg
Stroke length	2,5 m
Cable dia.	2,5 mm
Dimension	192x100x415 mm

## Ordering Information

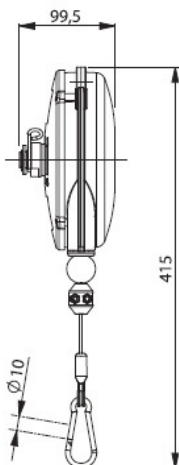
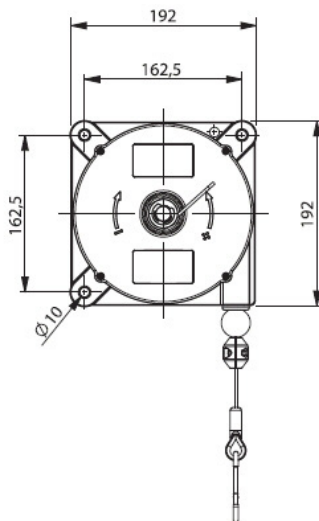
Ordering Information	Weight KG
2813 9600 03	2,85

## EQ SST-4,0-6,0kg



- For all types of portable devices and tools
- Fully fitted with safety cable, terminal block and snap hook
- High degree of flexibility because the spring tension on the housing can be used to set and adjust the required load capacity

- Compact, with robust Aluminium housing
- Rubber buffer at the end



### Specifications

Carrying power min.	4,0 kg
Carrying power max.	6,0 kg
Stroke length	2,5 m
Cable dia.	2,5 mm
Dimension	192x100x415 mm

### Ordering Information

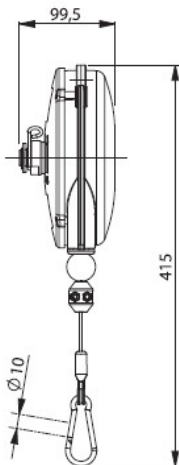
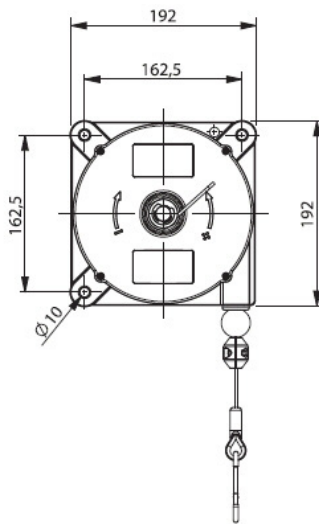
Ordering Information	Weight KG
2813 9600 04	3,00

## EQ SST-6,0-8,0kg



- For all types of portable devices and tools
- Fully fitted with safety cable, terminal block and snap hook
- High degree of flexibility because the spring tension on the housing can be used to set and adjust the required load capacity

- Compact, with robust Aluminium housing
- Rubber buffer at the end



### Specifications

Carrying power min.	6,0 kg
Carrying power max.	8,0 kg
Stroke length	2,5 m
Cable dia.	2,5 mm
Dimension	192x100x415 mm

### Ordering Information

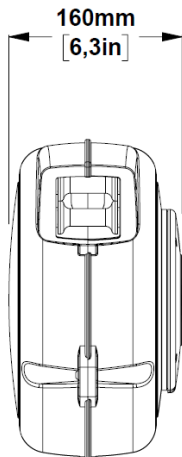
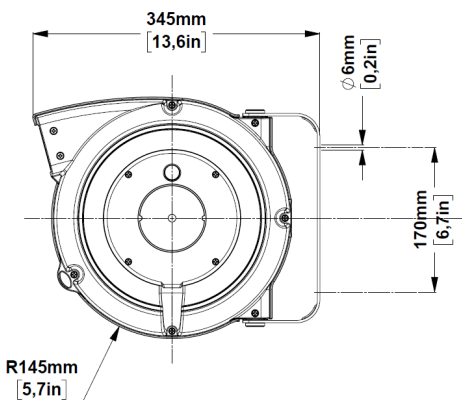
Ordering Information	Weight KG
2813 9600 05	3,10

# HR PVC-QRC-U-A-15bar 12-8/10m



- Fully fitted with quick-action coupling and long connection hose with plug nipple, ready to connect
- Flexible use with large swivel range
- Wall mounting

- Automatic hose reel
- Outer Material ABS
- Wall mounting rotatable bracket



## Specifications

Operating pressure	0-15 bar
Hose outer diameter	12 mm
Hose inner diameter	8 mm
Hose length	10 m
Material of hose	PVC
Length of hose connection	1,5 m
Connection inlet	PN Euro profile
Connection outlet	Quick release coupling Universal profile

## Ordering Information

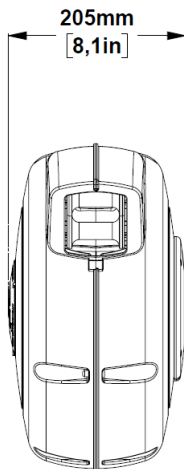
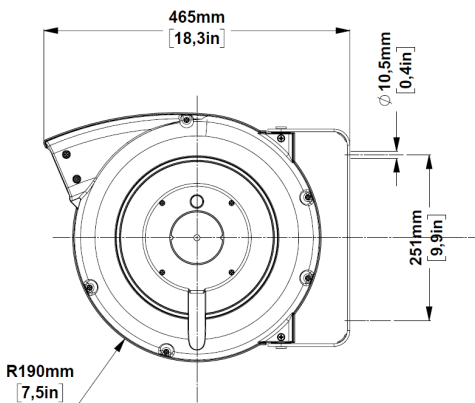
Ordering Information	Weight KG	Dimension mm
2813950004	4,00	345x290x160

# HR PVC-QRC-U-A-15bar 12-8/15m



- Fully fitted with quick-action coupling and long connection hose with plug nipple, ready to connect
- Flexible use with large swivel range
- Wall mounting

- Automatic hose reel
- Outer Material ABS
- Wall mounting rotatable bracket



## Specifications

Operating pressure	0-15 bar
Hose outer diameter	12 mm
Hose inner diameter	8 mm
Hose length	15 m
Material of hose	PVC
Length of hose connection	1,0 m
Temperature range	-5°C - +50°C
Connection inlet	PN Euro profile
Connection outlet	Quick release coupling Universal profile

## Ordering Information

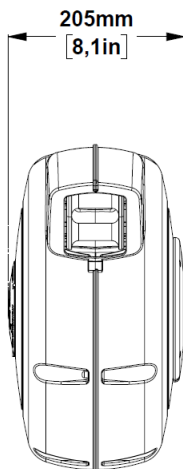
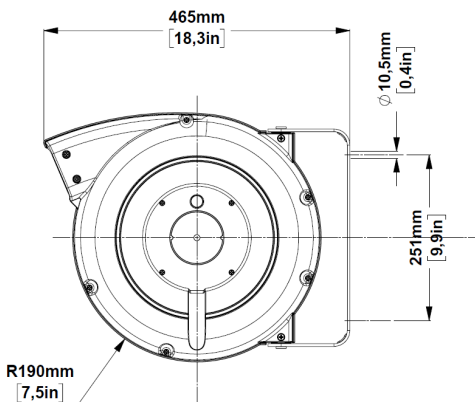
Ordering Information	Weight KG	Dimension mm
2813950005	7,30	470x400x205

# HR PVC-QRC-U-A-15bar 14-10/15m



- Fully fitted with quick-action coupling and long connection hose with plug nipple, ready to connect
- Flexible use with large swivel range
- Wall mounting

- Automatic hose reel
- Outer Material ABS
- Wall mounting rotatable bracket



## Specifications

Operating pressure	0-15 bar
Hose outer diameter	14 mm
Hose inner diameter	10 mm
Hose length	15 m
Material of hose	PVC
Length of hose connection	1,0 m
Connection inlet	PN Euro profile
Connection outlet	Quick release coupling Universal profile

## Ordering Information

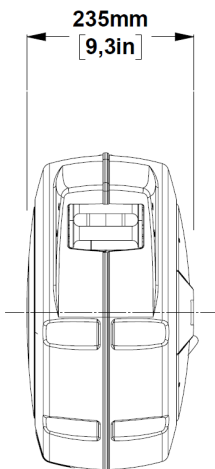
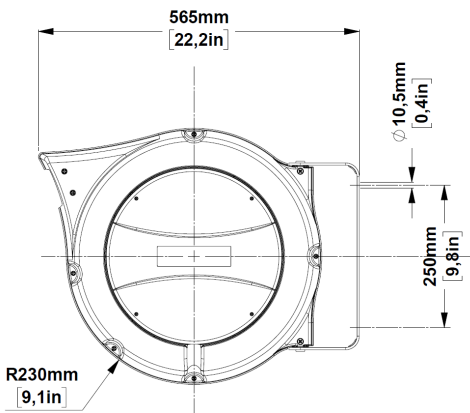
Ordering Information	Weight KG	Dimension mm
2813950006	8,80	465x400x205

# HR PVC-QRC-U-A-15bar 18-13/15m



- Fully fitted with quick-action coupling and long connection hose with plug nipple, ready to connect
- Flexible use with large swivel range
- Wall mounting

- Automatic hose reel
- Outer Material ABS
- Wall mounting rotatable bracket



## Specifications

Operating pressure	0-15 bar
Hose outer diameter	17,5 mm
Hose inner diameter	12,5 mm
Hose length	15 m
Material of hose	PVC
Length of hose connection	1,5 m
Connection inlet	PN Euro profile
Connection outlet	Quick release coupling Universal profile

## Ordering Information

Ordering Information	Weight KG	Dimension mm
2813950007	10,50	565x460x235



# Connecting & joining technology

User-friendly and safe



For all connections on tools, hoses and machines –  
from the simple nipple to the more  
complex safety quick-action coupling.

## C QRC-S-E-1/4"m



- Safe working because the hose is not ejected when disconnected (whiplash effect), DIN EN ISO 4414 and DIN EN 983
- Hardened galvanized steel for an extended service life
- Low coupling force for easy coupling

- European standard profile with nominal width of 7.6
- For extremely high air flow rate
- Max. operating pressure 16 bar
- Free of silicone

### Specifications

**Inlet Connection** 1/4" male BSP thread

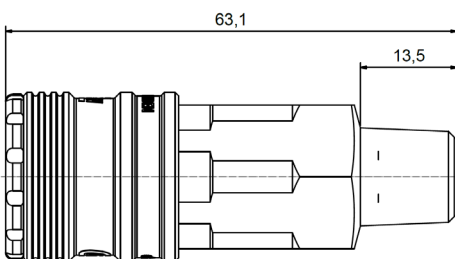
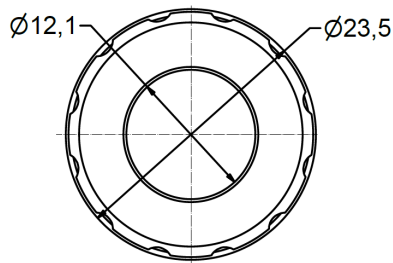
**Working pressure** 0-16 bar

**Max. Pressure** 35 bar

**Wrench size** 22 mm

**Nominal dia.** 7,6 mm

**Flow rate 6 bar European** 2.250 l/min



### Ordering Information

Ordering Information	Weight KG	Dimension mm
2813 9100 18	0,089	58x25x25

## C QRC-S-E-1/2"m



- **Safe working because the hose is not ejected when disconnected (whiplash effect), DIN EN ISO 4414 and DIN EN 983**
- **Hardened galvanized steel for an extended service life**
- **Low coupling force for easy coupling**

- European standard profile with nominal width of 7.6
- For extremely high air flow rate
- Max. operating pressure 16 bar
- Free of silicone

### Specifications

**Inlet Connection** 1/2" male BSP thread

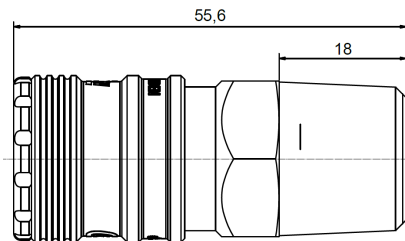
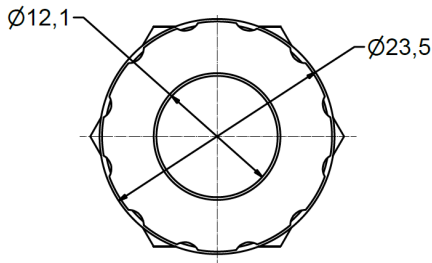
**Working pressure** 0-16 bar

**Max. Pressure** 35 bar

**Wrench size** 22 mm

**Nominal dia.** 7,6 mm

**Flow rate 6 bar European** 2.250 l/min



### Ordering Information

Ordering Information	Weight KG	Dimension mm
----------------------	-----------	--------------

2813 9100 20	0,103	58x25x25
--------------	-------	----------

## C QRC-S-E-1/4“f



- Safe working because the hose is not ejected when disconnected (whiplash effect), DIN EN ISO 4414 and DIN EN 983
- Hardened galvanized steel for an extended service life
- Low coupling force for easy coupling

- European standard profile with nominal width of 7.6
- For extremely high air flow rate
- Max. operating pressure 16 bar
- Free of silicone

### Specifications

**Inlet Connection** 1/4" female BSP thread

**Working pressure** 0-16 bar

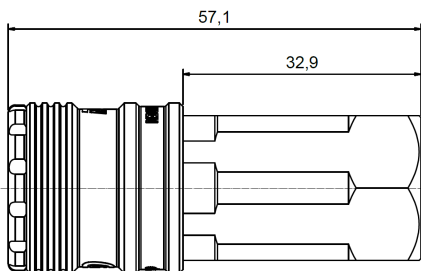
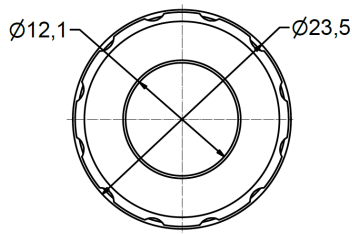
**Max. Pressure** 35 bar

**Wrench size** 22 mm

**Nominal dia.** 7,6 mm

**Flow rate 6 bar European** 2.250 l/min

**Dimension** 64x25x25



### Ordering Information

Ordering Information	Weight KG	Dimension mm
----------------------	-----------	--------------

2813 9100 21	0,119	64x25x25
--------------	-------	----------

## C QRC-S-E-3/8“f



- Safe working because the hose is not ejected when disconnected (whiplash effect), DIN EN ISO 4414 and DIN EN 983
- Hardened galvanized steel for an extended service life
- Low coupling force for easy coupling

- European standard profile with nominal width of 7.6
- For extremely high air flow rate
- Max. operating pressure 16 bar
- Free of silicone

### Specifications

**Inlet Connection** 3/8" female BSP thread

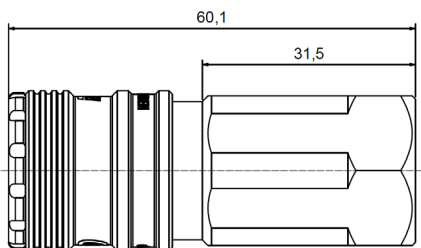
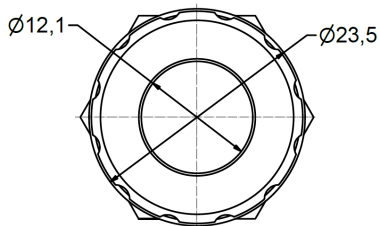
**Working pressure** 0-16 bar

**Max. Pressure** 35 bar

**Wrench size** 22 mm

**Nominal dia.** 7,6 mm

**Flow rate 6 bar European** 2.250 l/min



### Ordering Information

Ordering Information	Weight KG	Dimension mm
----------------------	-----------	--------------

2813 9100 22	0,112	64x25x25
--------------	-------	----------

## C QRC-S-E-1/2“f

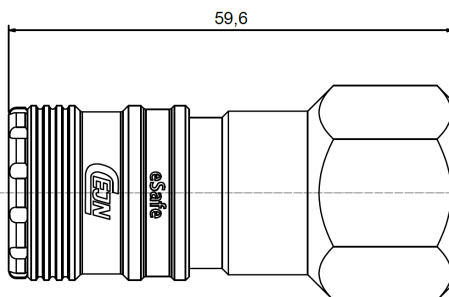
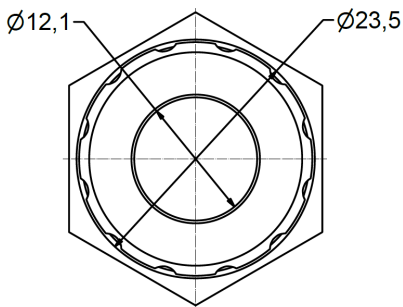


- Safe working because the hose is not ejected when disconnected (whiplash effect), DIN EN ISO 4414 and DIN EN 983
- Hardened galvanized steel for an extended service life
- Low coupling force for easy coupling

- European standard profile with nominal width of 7.6
- For extremely high air flow rate
- Max. operating pressure 16 bar
- Free of silicone

### Specifications

<b>Inlet Connection</b>	1/2" female BSP thread
<b>Working pressure</b>	0-16 bar
<b>Max. Pressure</b>	35 bar
<b>Wrench size</b>	22 mm
<b>Nominal dia.</b>	7,6 mm
<b>Flow rate 6 bar European</b>	2.250 l/min



### Ordering Information

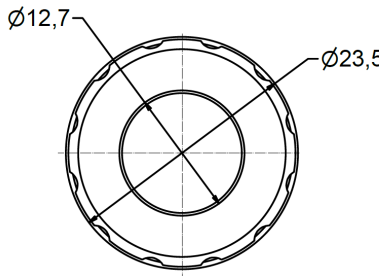
Ordering Information	Weight KG	Dimension mm
2813 9100 23	0,119	64x25x25

## C QRC-S-E-6mm



- Safe working because the hose is not ejected when disconnected (whiplash effect), DIN EN ISO 4414 and DIN EN 983
- Hardened galvanized steel for an extended service life
- Low coupling force for easy coupling

- European standard profile with nominal width of 7.6
- For extremely high air flow rate
- Max. operating pressure 16 bar
- Free of silicone



### Specifications

**Inlet Connection** 6mm hose nozzle

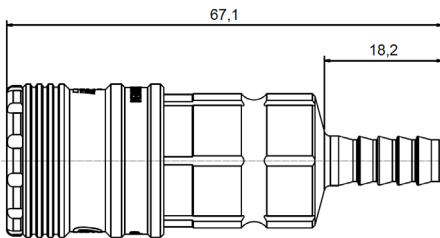
**Working pressure** 0-16 bar

**Max. Pressure** 35 bar

**Wrench size** 20 mm

**Nominal dia.** 7,6 mm

**Flow rate 6 bar European** 2.250 l/min



### Ordering Information

Ordering Information	Weight KG	Dimension mm
----------------------	-----------	--------------

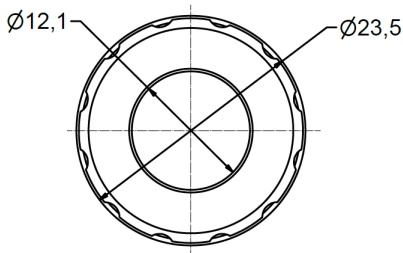
2813 9100 24	0,100	68x25x25
--------------	-------	----------

## C QRC-S-E-9mm



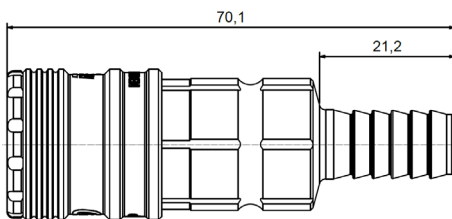
- Safe working because the hose is not ejected when disconnected (whiplash effect), DIN EN ISO 4414 and DIN EN 983
- Hardened galvanized steel for an extended service life
- Low coupling force for easy coupling

- European standard profile with nominal width of 7.6
- For extremely high air flow rate
- Max. operating pressure 16 bar
- Free of silicone



### Specifications

<b>Inlet Connection</b>	9mm hose nozzle
<b>Working pressure</b>	0-16 bar
<b>Max. Pressure</b>	35 bar
<b>Wrench size</b>	20 mm
<b>Nominal dia.</b>	7,6 mm
<b>Flow rate 6 bar European</b>	2.250 l/min



### Ordering Information

Ordering Information	Weight KG	Dimension mm
2813 9100 26	0,105	68x25x25

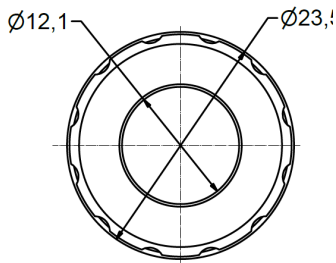


## C QRC-S-E-13mm



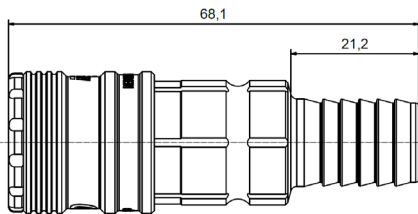
- Safe working because the hose is not ejected when disconnected (whiplash effect), DIN EN ISO 4414 and DIN EN 983
- Hardened galvanized steel for an extended service life
- Low coupling force for easy coupling

- European standard profile with nominal width of 7.6
- For extremely high air flow rate
- Max. operating pressure 16 bar
- Free of silicone



### Specifications

<b>Inlet Connection</b>	13mm hose nozzle
<b>Working pressure</b>	0-16 bar
<b>Max. Pressure</b>	35 bar
<b>Wrench size</b>	20 mm
<b>Nominal dia.</b>	7,6 mm
<b>Flow rate 6 bar European</b>	2.250 l/min

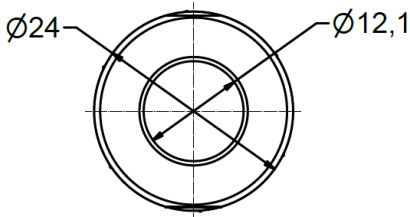


### Ordering Information

Ordering Information	Weight KG	Dimension mm
2813 9100 26	0,105	68x25x25

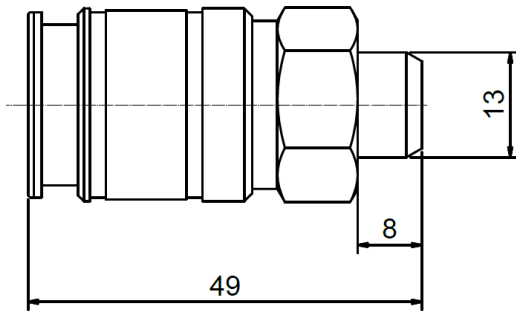
## C QRC-U-1/4"m

- Brass quick-release coupling with Universal profile
- Fits to
  - European standard profile
  - ARO profile
  - ISO 6150 B profile
  - Italian profile
- Universal profile
- Material: nickel-plated Brass
- Temperature range -20°C - +80°C



### Specifications

Inlet Connection	1/4" male BSP thread
Working pressure	0-16 bar
Max. Pressure	35 bar
Wrench size	21 mm
Nominal dia.	7,2 mm
Flow rate 6 bar European	2.150 l/min
Flow rate 6 bar ARO	1.600 l/min
Flow rate 6 bar Iso 6150 B	1.450 l/min
Flow rate 6 bar Italian	1.300 l/min
Dimension	49x24x24



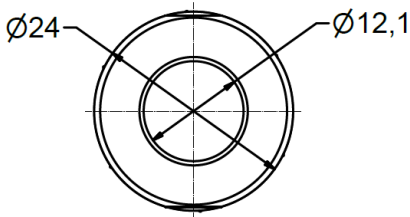
### Ordering Information

Ordering Information	Weight KG
2813 9100 84	0,073

## C QRC-U-3/8"m



- Brass quick-release coupling with Universal profile
- Fits to
  - European standard profile
  - ARO profile
  - ISO 6150 B profile
  - Italian profile
- Universal profile
- Material: nickel-plated Brass
- Temperature range -20°C - +80°C



### Specifications

**Inlet Connection** 3/8" male BSP thread

**Working pressure** 0-16 bar

**Max. Pressure** 35 bar

**Wrench size** 21 mm

**Nominal dia.** 7,2 mm

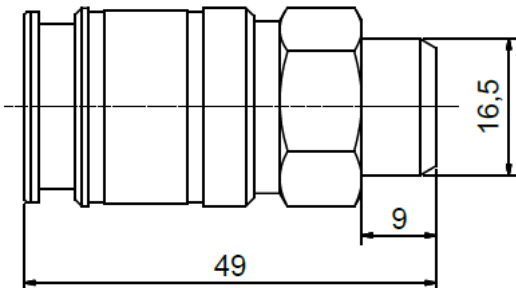
**Flow rate 6 bar European** 2.150 l/min

**Flow rate 6 bar ARO** 1.600 l/min

**Flow rate 6 bar Iso 6150 B** 1.450 l/min

**Flow rate 6 bar Italian** 1.300 l/min

**Dimension** 49x24x24



### Ordering Information

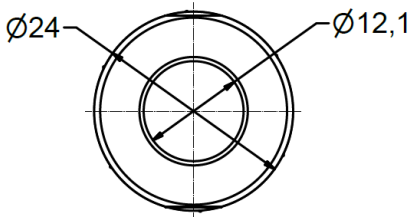
**Ordering Information** Weight KG

2813 9100 85 0,079

## C QRC-U-1/2"m



- Brass quick-release coupling with Universal profile
- Fits to
  - European standard profile
  - ARO profile
  - ISO 6150 B profile
  - Italian profile
- Universal profile
- Material: nickel-plated Brass
- Temperature range -20°C - +80°C



### Specifications

**Inlet Connection** 1/2" male BSP thread

**Working pressure** 0-16 bar

**Max. Pressure** 35 bar

**Wrench size** 24 mm

**Nominal dia.** 7,2 mm

**Flow rate 6 bar European** 2.150 l/min

**Flow rate 6 bar ARO** 1.600 l/min

**Flow rate 6 bar Iso 6150 B** 1.450 l/min

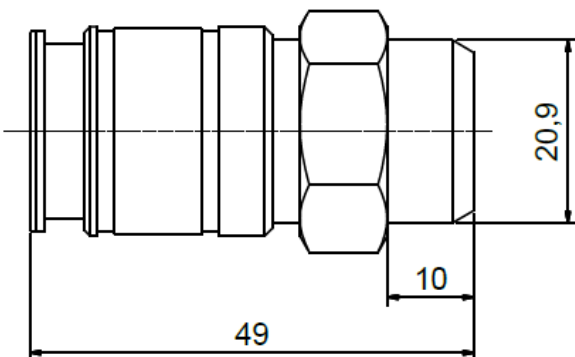
**Flow rate 6 bar Italian** 1.300 l/min

**Dimension** 49x24x24

### Ordering Information

Ordering Information	Weight KG
----------------------	-----------

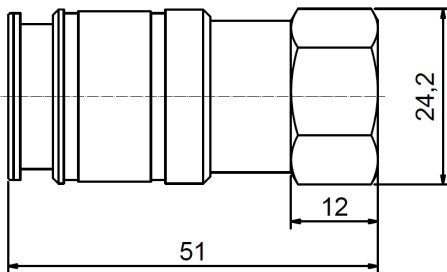
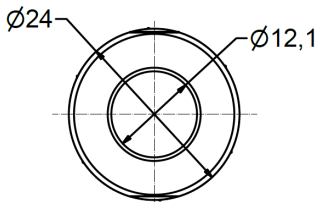
2813 9100 86	0,086
--------------	-------



## C QRC-U-1/4" f



- Brass quick-release coupling with Universal profile
- Fits to
  - European standard profile
  - ARO profile
  - ISO 6150 B profile
  - Italian profile
- Universal profile
- Material: nickel-plated Brass
- Temperature range -20°C - +80°C



### Specifications

<b>Inlet Connection</b>	1/4" female BSP thread
<b>Working pressure</b>	0-16 bar
<b>Max. Pressure</b>	35 bar
<b>Wrench size</b>	21 mm
<b>Nominal dia.</b>	7,2 mm
<b>Flow rate 6 bar European</b>	2.150 l/min
<b>Flow rate 6 bar ARO</b>	1.600 l/min
<b>Flow rate 6 bar Iso 6150 B</b>	1.450 l/min
<b>Flow rate 6 bar Italian</b>	1.300 l/min
<b>Dimension</b>	51x24x24

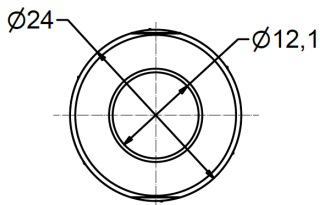
### Ordering Information

Ordering Information	Weight KG
2813 9100 87	0,088

## C QRC-U-3/8“f



- Brass quick-release coupling with Universal profile
- Fits to
  - European standard profile
  - ARO profile
  - ISO 6150 B profile
  - Italian profile
- Universal profile
- Material: nickel-plated Brass
- Temperature range -20°C - +80°C



### Specifications

**Inlet Connection** 3/8" female BSP thread

**Working pressure** 0-16 bar

**Max. Pressure** 35 bar

**Wrench size** 21 mm

**Nominal dia.** 7,2 mm

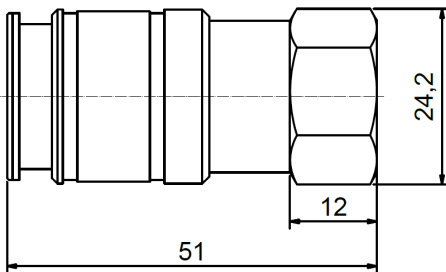
**Flow rate 6 bar European** 2.150 l/min

**Flow rate 6 bar ARO** 1.600 l/min

**Flow rate 6 bar Iso 6150 B** 1.450 l/min

**Flow rate 6 bar Italian** 1.300 l/min

**Dimension** 51x24x24



### Ordering Information

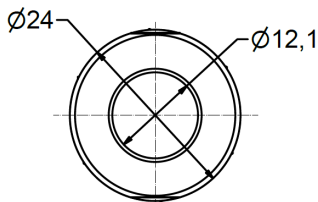
Ordering Information	Weight KG
----------------------	-----------

2813 9100 88	0,095
--------------	-------

## C QRC-U-1/2“f



- Brass quick-release coupling with Universal profile
- Fits to
  - European standard profile
  - ARO profile
  - ISO 6150 B profile
  - Italian profile
- Universal profile
- Material: nickel-plated Brass
- Temperature range -20°C - +80°C



### Specifications

**Inlet Connection** 1/2" female BSP thread

**Working pressure** 0-16 bar

**Max. Pressure** 35 bar

**Wrench size** 24 mm

**Nominal dia.** 7,2 mm

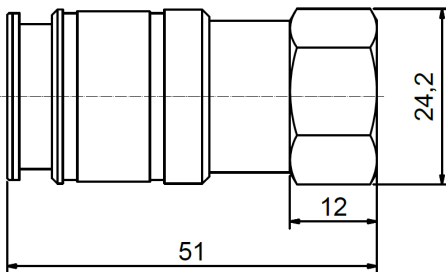
**Flow rate 6 bar European** 2.150 l/min

**Flow rate 6 bar ARO** 1.600 l/min

**Flow rate 6 bar Iso 6150 B** 1.450 l/min

**Flow rate 6 bar Italian** 1.300 l/min

**Dimension** 51x24x24



### Ordering Information

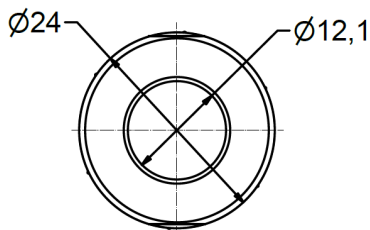
Ordering Information	Weight KG
----------------------	-----------

2813 9100 89	0,102
--------------	-------

## C QRC-U-6mm



- Brass quick-release coupling with Universal profile
- Fits to
  - European standard profile
  - ARO profile
  - ISO 6150 B profile
  - Italian profile
- Universal profile
- Material: nickel-plated Brass
- Temperature range -20°C - +80°C



### Specifications

**Inlet Connection** 6 mm hose nozzle

**Working pressure** 0-16 bar

**Max. Pressure** 35 bar

**Wrench size** 21 mm

**Nominal dia.** 7,2 mm

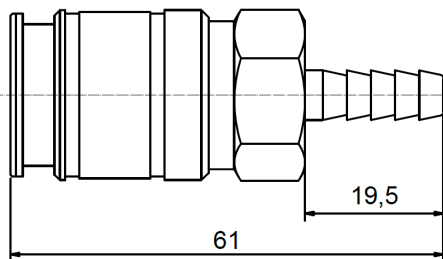
**Flow rate 6 bar European** 2.150 l/min

**Flow rate 6 bar ARO** 1.600 l/min

**Flow rate 6 bar Iso 6150 B** 1.450 l/min

**Flow rate 6 bar Italian** 1.300 l/min

**Dimension** 61x24x24



### Ordering Information

**Ordering Information** Weight KG

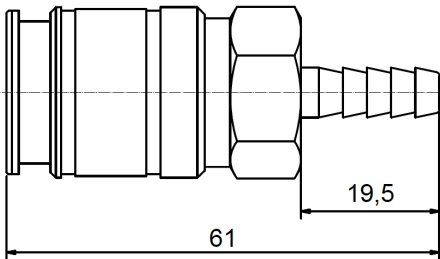
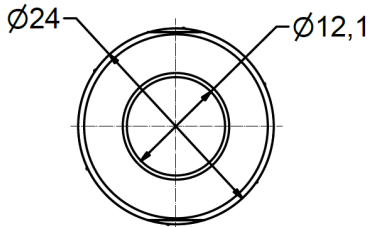
2813 9100 90 0,072



## C QRC-U-9mm



- Brass quick-release coupling with Universal profile
- Fits to
  - European standard profile
  - ARO profile
  - ISO 6150 B profile
  - Italian profile
- Universal profile
- Material: nickel-plated Brass
- Temperature range -20°C - +80°C



### Specifications

Inlet Connection	10 mm hose nozzle
Working pressure	0-16 bar
Max. Pressure	35 bar
Wrench size	21 mm
Nominal dia.	7,2 mm
Flow rate 6 bar European	2.150 l/min
Flow rate 6 bar ARO	1.600 l/min
Flow rate 6 bar Iso 6150 B	1.450 l/min
Flow rate 6 bar Italian	1.300 l/min
Dimension	61x24x24

### Ordering Information

Ordering Information	Weight KG
2813 9100 91	0,075

## C QRC-U-13mm



- Brass quick-release coupling with Universal profile
- Fits to
  - European standard profile
  - ARO profile
  - ISO 6150 B profile
  - Italian profile
- Universal profile
- Material: nickel-plated Brass
- Temperature range -20°C - +80°C

### Specifications

**Inlet Connection** 12 mm hose nozzle

**Working pressure** 0-16 bar

**Max. Pressure** 35 bar

**Wrench size** 21 mm

**Nominal dia.** 7,2 mm

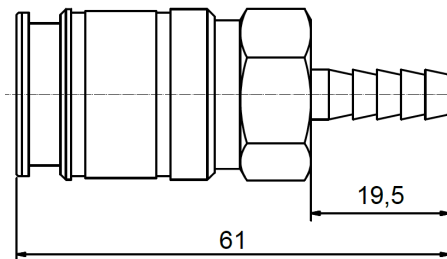
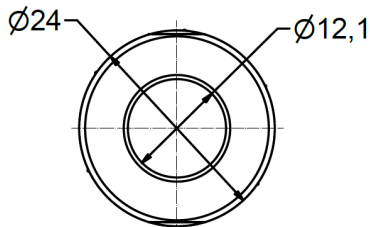
**Flow rate 6 bar European** 2.150 l/min

**Flow rate 6 bar ARO** 1.600 l/min

**Flow rate 6 bar Iso 6150 B** 1.450 l/min

**Flow rate 6 bar Italian** 1.300 l/min

**Dimension** 61x24x24



### Ordering Information

Ordering Information	Weight KG
----------------------	-----------

2813 9100 92	0,079
--------------	-------

# Maintenance units

Excellent air quality for every application



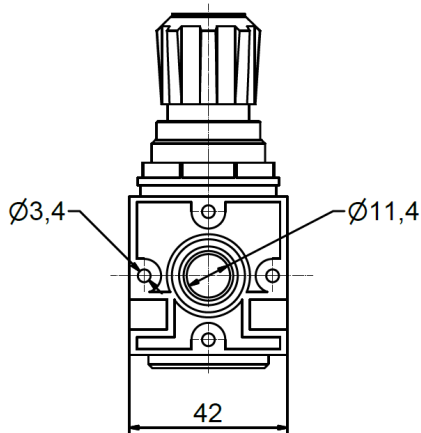
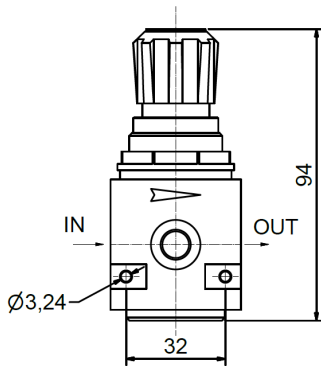
Achieve maximum compressed air quality and outstanding working results with our filters and maintenance units – from prefilters and microfilters through to activated carbon filters.

## FRL PR-1/4"f



- Pressure regulator with piston for high operational reliability
- High stability of adjusting pressure, even if the input pressure or the flow rate changes
- Assembly independent of flow direction thanks to double-sided connection option for pressure gauge

- Working pressure range : 0-12 Bar
- Entry pressure: 0-18 bar
- With lockable adjustment button
- Standard features include: pressure gauge



### Specifications

Inlet Connection	1/4" Female BSP thread
Outlet Connection	1/4" Female BSP thread
Manometer Connection	1/4" Female BSP thread
Flow rate	700 l/min
Dimension	42 x 42 x 94

### Ordering Information

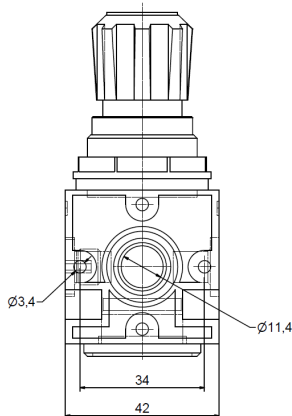
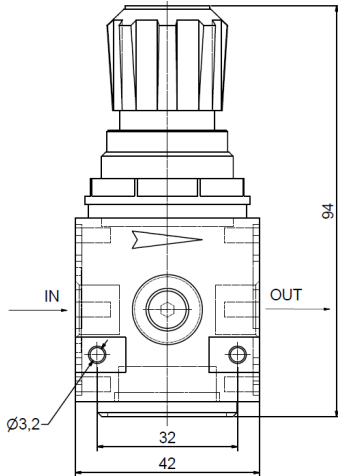
Ordering Information	Weight KG
2813 9200 00	0,321

# FRL PR-1/4"f NPT



- Pressure regulator with piston for high operational reliability
- High stability of adjusting pressure, even if the input pressure or the flow rate changes
- Assembly independent of flow direction thanks to double-sided connection option for pressure gauge

- Working pressure range : 0-12 Bar
- Entry pressure: 0-18 bar
- With lockable adjustment button
- Standard features include: pressure gauge



## Specifications

<b>Inlet Connection</b>	1/4" Female NPT thread
<b>Outlet Connection</b>	1/4" Female NPT thread
<b>Manometer Connection</b>	1/4" Female NPT thread
<b>Flow rate</b>	700 l/min
<b>Dimension</b>	42 x 42 x 94

## Ordering Information

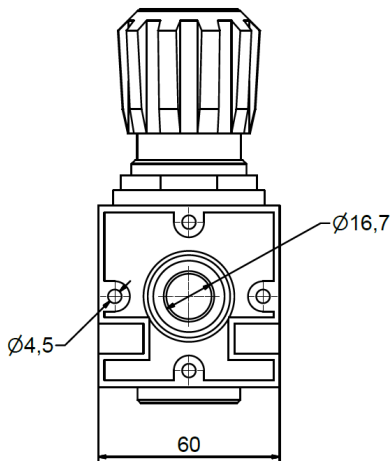
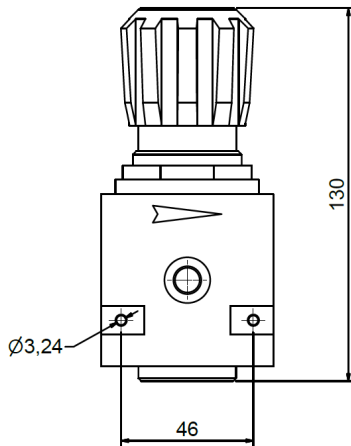
Ordering Information	Weight KG
2813 9200 33	0,321

# FRL PR-3/8"f



- Pressure regulator with piston for high operational reliability
- High stability of adjusting pressure, even if the input pressure or the flow rate changes
- Assembly independent of flow direction thanks to double-sided connection option for pressure gauge

- Working pressure range : 0-12 Bar
- Entry pressure: 0-18 bar
- With lockable adjustment button
- Standard features include: pressure gauge



## Specifications

Inlet Connection	3/8" Female BSP thread
Outlet Connection	3/8" Female BSP thread
Manometer Connection	3/8" Female BSP thread
Flow rate	2.500 l/min
Dimension	60 x 60 x 130

## Ordering Information

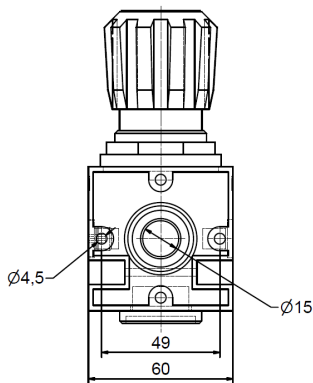
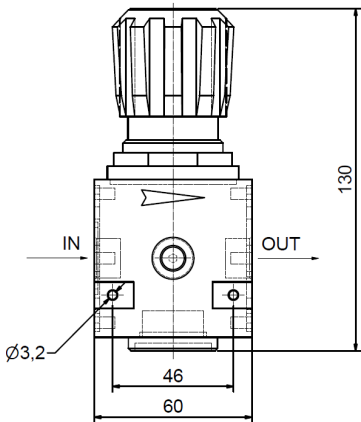
Ordering Information	Weight KG
2813 9200 01	0,839

# FRL PR-3/8"f NPT



- Pressure regulator with piston for high operational reliability
- High stability of adjusting pressure, even if the input pressure or the flow rate changes
- Assembly independent of flow direction thanks to double-sided connection option for pressure gauge

- Working pressure range : 0-12 Bar
- Entry pressure: 0-18 bar
- With lockable adjustment button
- Standard features include: pressure gauge



## Specifications

<b>Inlet Connection</b>	3/8" Female NPT thread
<b>Outlet Connection</b>	3/8" Female NPT thread
<b>Manometer Connection</b>	3/8" Female NPT thread
<b>Flow rate</b>	2.500 l/min
<b>Dimension</b>	60 x 60 x 130

## Ordering Information

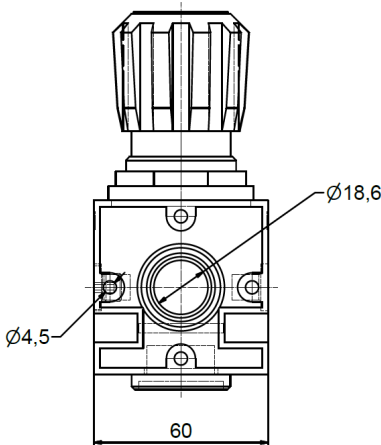
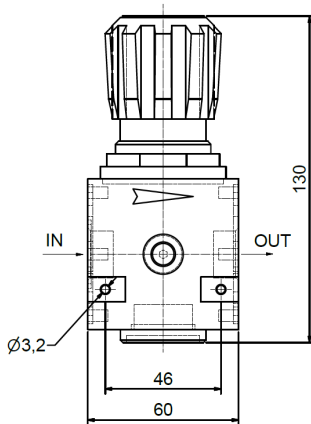
Ordering Information	Weight KG
2813 9200 34	0,839

# FRL PR-1/2" f



- Pressure regulator with piston for high operational reliability
- High stability of adjusting pressure, even if the input pressure or the flow rate changes
- Assembly independent of flow direction thanks to double-sided connection option for pressure gauge

- Working pressure range : 0-12 Bar
- Entry pressure: 0-18 bar
- With lockable adjustment button
- Standard features include: pressure gauge



## Specifications

Inlet Connection	1/2" Female BSP thread
Outlet Connection	1/2" Female BSP thread
Manometer Connection	1/2" Female BSP thread
Flow rate	2.500 l/min
Dimension	60 x 60 x 130

## Ordering Information

Ordering Information	Weight KG
2813 9200 02	0,813

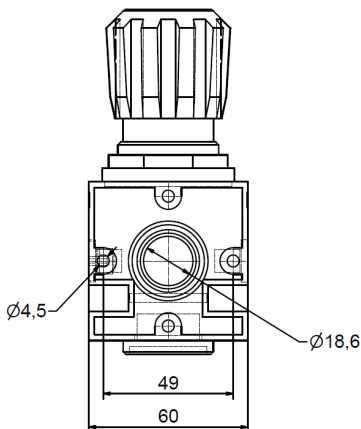
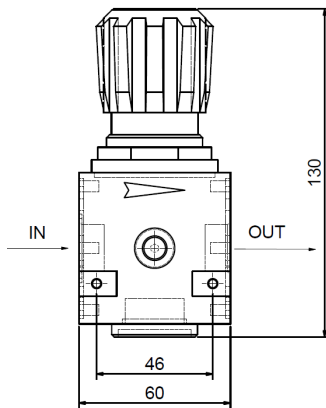


# FRL PR-1/2"f NPT



- Pressure regulator with piston for high operational reliability
- High stability of adjusting pressure, even if the input pressure or the flow rate changes
- Assembly independent of flow direction thanks to double-sided connection option for pressure gauge

- Working pressure range : 0-12 Bar
- Entry pressure: 0-18 bar
- With lockable adjustment button
- Standard features include: pressure gauge



## Specifications

<b>Inlet Connection</b>	1/2" Female NPT thread
<b>Outlet Connection</b>	1/2" Female NPT thread
<b>Manometer Connection</b>	1/2" Female NPT thread
<b>Flow rate</b>	2.500 l/min
<b>Dimension</b>	60 x 60 x 130

## Ordering Information

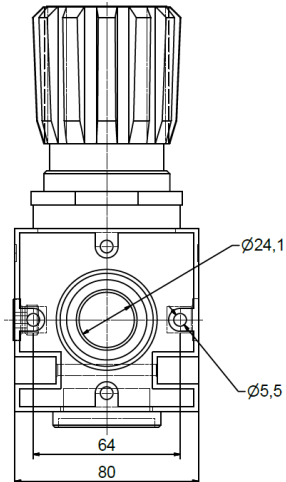
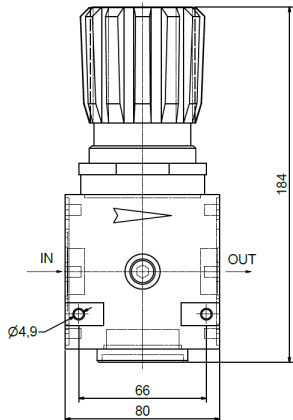
Ordering Information	Weight KG
2813 9200 35	0,813

# FRL PR-3/4"f



- Pressure regulator with piston for high operational reliability
- High stability of adjusting pressure, even if the input pressure or the flow rate changes
- Assembly independent of flow direction thanks to double-sided connection option for pressure gauge

- Working pressure range : 0-12 Bar
- Entry pressure: 0-18 bar
- With lockable adjustment button
- Standard features include: pressure gauge



## Specifications

<b>Inlet Connection</b>	3/4" Female BSP thread
<b>Outlet Connection</b>	3/4" Female BSP thread
<b>Manometer Connection</b>	3/4" Female BSP thread
<b>Flow rate</b>	4.500 l/min
<b>Dimension</b>	80x80x184

## Ordering Information

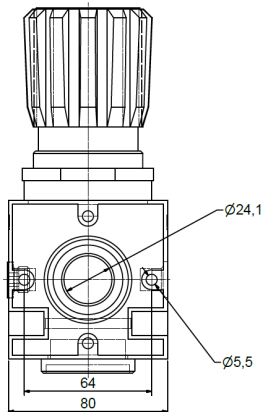
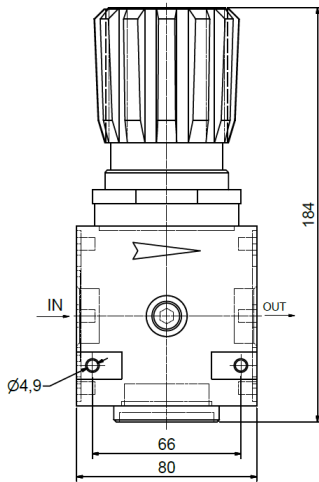
Ordering Information	Weight KG
2813 9200 03	1,61

# FRL PR-3/4"f NPT



- Pressure regulator with piston for high operational reliability
- High stability of adjusting pressure, even if the input pressure or the flow rate changes
- Assembly independent of flow direction thanks to double-sided connection option for pressure gauge

- Working pressure range : 0-12 Bar
- Entry pressure: 0-18 bar
- With lockable adjustment button
- Standard features include: pressure gauge



## Specifications

**Inlet Connection** 3/4" Female NPT thread

**Outlet Connection** 3/4" Female NPT thread

**Manometer Connection** 3/4" Female NPT thread

**Flow rate** 4.500 l/min

**Dimension** 80x80x184

## Ordering Information

Ordering Information	Weight KG
----------------------	-----------

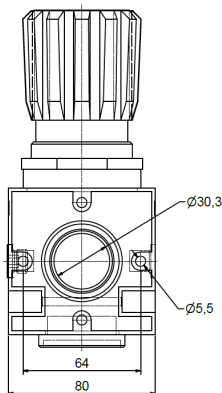
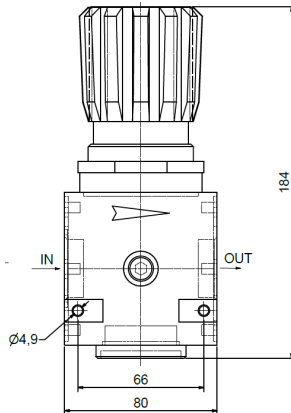
2813 9200 04	1,61
--------------	------

# FRL PR-1" f



- Pressure regulator with piston for high operational reliability
- High stability of adjusting pressure, even if the input pressure or the flow rate changes
- Assembly independent of flow direction thanks to double-sided connection option for pressure gauge

- Working pressure range : 0-12 Bar
- Entry pressure: 0-18 bar
- With lockable adjustment button
- Standard features include: pressure gauge



## Specifications

<b>Inlet Connection</b>	1" Female BSP thread
<b>Outlet Connection</b>	1" Female BSP thread
<b>Manometer Connection</b>	1" Female BSP thread
<b>Flow rate</b>	4.500 l/min
<b>Dimension</b>	80x80x184

## Ordering Information

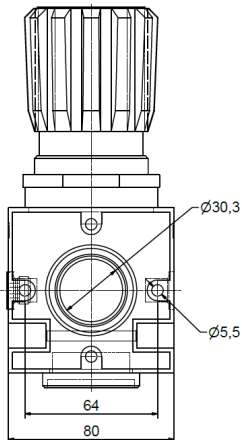
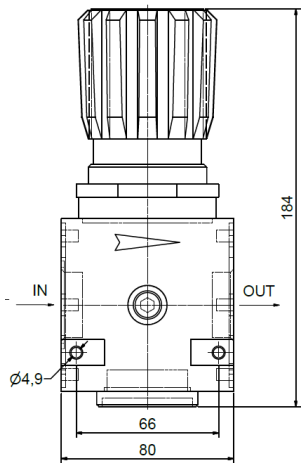
Ordering Information	Weight KG
2813 9200 05	1,513

# FRL PR-1" f NPT



- Pressure regulator with piston for high operational reliability
- High stability of adjusting pressure, even if the input pressure or the flow rate changes
- Assembly independent of flow direction thanks to double-sided connection option for pressure gauge

- Working pressure range : 0-12 Bar
- Entry pressure: 0-18 bar
- With lockable adjustment button
- Standard features include: pressure gauge



## Specifications

Inlet Connection	1" Female NPT thread
Outlet Connection	1" Female NPT thread
Manometer Connection	1" Female NPT thread
Flow rate	4.500 l/min
Dimension	80x80x184

## Ordering Information

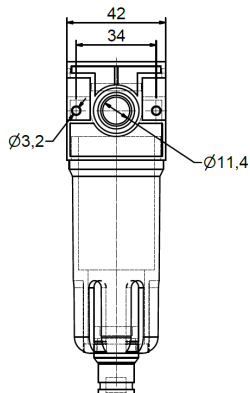
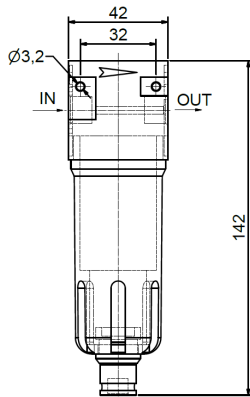
Ordering Information	Weight KG
2813 9200 06	1,513

# FRL WS-1/4"f



- Centrifugal acceleration of compressed air for efficient separation of dirt particles and condensate
- Filtering function upstream of the pressure reducer

- Entry pressure: 0-18 bar
- Two-stage mechanical filter with 20 µm
- Semi-automatic drainage



## Specifications

**Inlet Connection** 1/4" Female BSP thread

**Outlet Connection** 1/4" Female BSP thread

**Manometer Connection** 1/4" Female BSP thread

**Flow rate** 1.720 l/min

**Condensate tank volume** 10 ml

**Dimension** 42x42x142

## Ordering Information

Ordering Information	Weight KG
----------------------	-----------

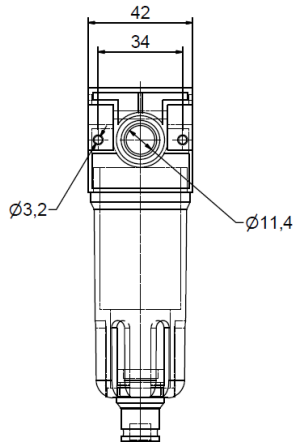
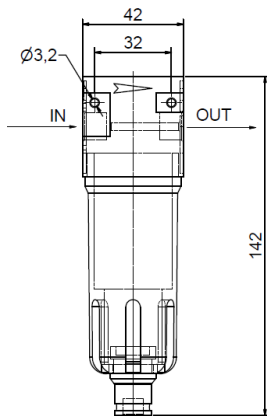
2813 9200 07	0,392
--------------	-------

# FRL WS-1/4" f NPT



- Centrifugal acceleration of compressed air for efficient separation of dirt particles and condensate
- Filtering function upstream of the pressure reducer

- Entry pressure: 0-18 bar
- Two-stage mechanical filter with 20 µm
- Semi-automatic drainage



## Specifications

<b>Inlet Connection</b>	1/4" Female NPT thread
<b>Outlet Connection</b>	1/4" Female NPT thread
<b>Manometer Connection</b>	1/4" Female NPT thread
<b>Flow rate</b>	1.720 l/min
<b>Condensate tank volume</b>	10 ml
<b>Dimension</b>	42x42x190

## Ordering Information

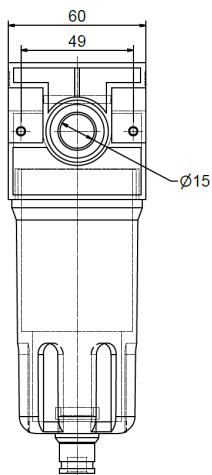
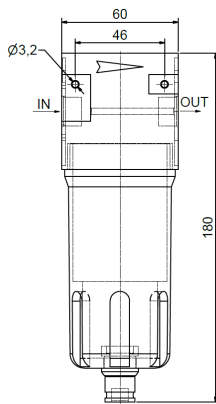
Ordering Information	Weight KG
2813 9200 36	0,392

## FRL WS-3/8"f



- Centrifugal acceleration of compressed air for efficient separation of dirt particles and condensate
- Filtering function upstream of the pressure reducer

- Entry pressure: 0-18 bar
- Two-stage mechanical filter with 20 µm
- Semi-automatic drainage



### Specifications

**Inlet Connection** 3/8" Female BSP thread

**Outlet Connection** 3/8" Female BSP thread

**Manometer Connection** 3/8" Female BSP thread

**Flow rate** 4.100 l/min

**Condensate tank volume** 45 ml

**Dimension** 60x60x180

### Ordering Information

Ordering Information	Weight KG
----------------------	-----------

2813 9200 08	0,849
--------------	-------

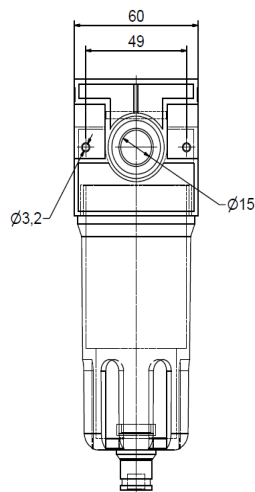
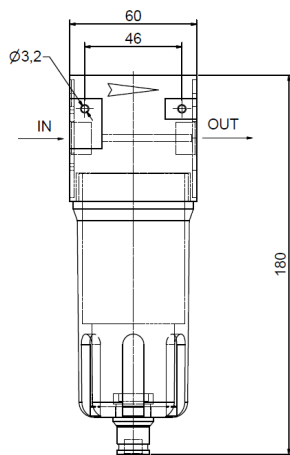


# FRL WS-3/8" f NPT



- Centrifugal acceleration of compressed air for efficient separation of dirt particles and condensate
- Filtering function upstream of the pressure reducer

- Entry pressure: 0-18 bar
- Two-stage mechanical filter with 20 µm
- Semi-automatic drainage



## Specifications

**Inlet Connection** 3/8" Female NPT thread

**Outlet Connection** 3/8" Female NPT thread

**Manometer Connection** 3/8" Female NPT thread

**Flow rate** 4.100 l/min

**Condensate tank volume** 45 ml

**Dimension** 60x60x180

## Ordering Information

Ordering Information	Weight KG
----------------------	-----------

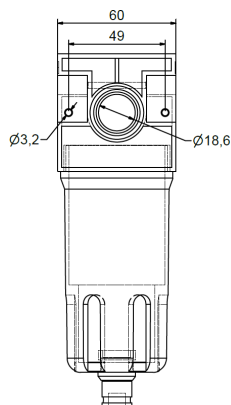
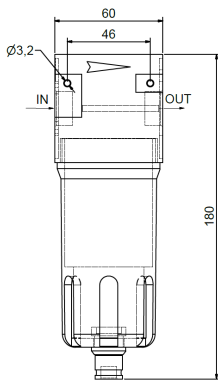
2813 9200 37	0,849
--------------	-------

# FRL WS-1/2"f



- Centrifugal acceleration of compressed air for efficient separation of dirt particles and condensate
- Filtering function upstream of the pressure reducer

- Entry pressure: 0-18 bar
- Two-stage mechanical filter with 20 µm
- Semi-automatic drainage



## Specifications

**Inlet Connection** 1/2" Female BSP thread

**Outlet Connection** 1/2" Female BSP thread

**Manometer Connection** 1/2" Female BSP thread

**Flow rate** 4.100 l/min

**Condensate tank volume** 45 ml

**Dimension** 60x60x180

## Ordering Information

Ordering Information	Weight KG
----------------------	-----------

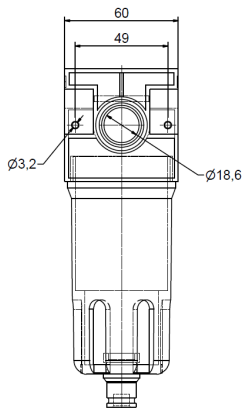
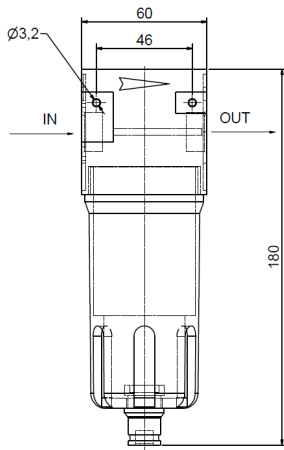
2813 9200 09	0,839
--------------	-------

# FRL WS-1/2" f NPT



- Centrifugal acceleration of compressed air for efficient separation of dirt particles and condensate
- Filtering function upstream of the pressure reducer

- Entry pressure: 0-18 bar
- Two-stage mechanical filter with 20 µm
- Semi-automatic drainage



## Specifications

**Inlet Connection** 1/2" Female NPT thread

**Outlet Connection** 1/2" Female NPT thread

**Manometer Connection** 1/2" Female NPT thread

**Flow rate** 4.100 l/min

**Condensate tank volume** 45 ml

**Dimension** 60x60x180

## Ordering Information

Ordering Information	Weight KG
----------------------	-----------

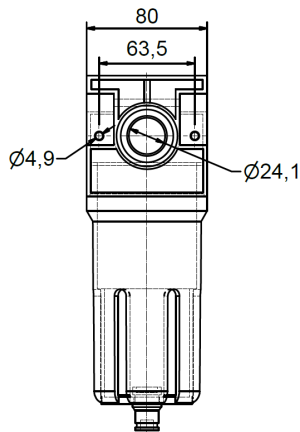
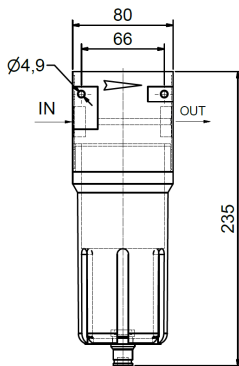
2813 9200 38	0,839
--------------	-------

# FRL WS-3/4"f



- Centrifugal acceleration of compressed air for efficient separation of dirt particles and condensate
- Filtering function upstream of the pressure reducer

- Entry pressure: 0-18 bar
- Two-stage mechanical filter with 20 µm
- Semi-automatic drainage



## Specifications

**Inlet Connection** 3/4" Female BSP thread

**Outlet Connection** 3/4" Female BSP thread

**Manometer Connection** 3/4" Female BSP thread

**Flow rate** 11.000 l/min

**Condensate tank volume** 170 ml

**Dimension** 80x110x235

## Ordering Information

Ordering Information	Weight KG
----------------------	-----------

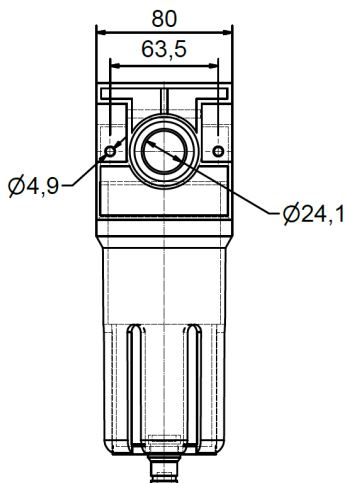
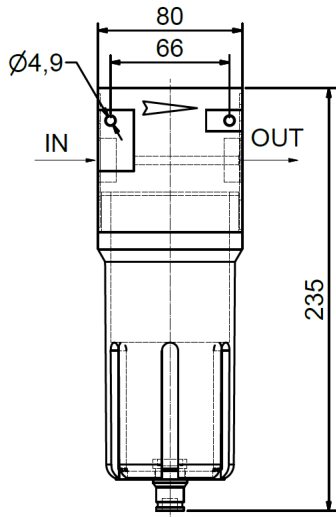
2813 9200 10	1,283
--------------	-------

## FRL WS-3/4" f NPT



- Centrifugal acceleration of compressed air for efficient separation of dirt particles and condensate
- Filtering function upstream of the pressure reducer

- Entry pressure: 0-18 bar
- Two-stage mechanical filter with 20 µm
- Semi-automatic drainage



### Specifications

**Inlet Connection** 3/4" Female NPT thread

**Outlet Connection** 3/4" Female NPT thread

**Manometer Connection** 3/4" Female NPT thread

**Flow rate** 11.000 l/min

**Condensate tank volume** 170 ml

**Dimension** 80x110x235

### Ordering Information

Ordering Information	Weight KG
----------------------	-----------

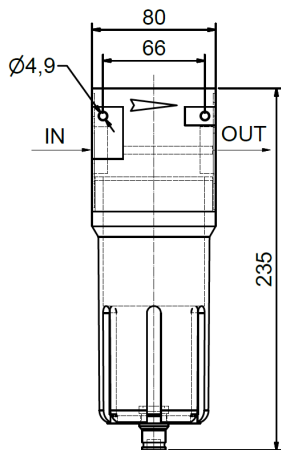
2813 9200 11	1,283
--------------	-------

# FRL WS-1" f



- Centrifugal acceleration of compressed air for efficient separation of dirt particles and condensate
- Filtering function upstream of the pressure reducer

- Entry pressure: 0-18 bar
- Two-stage mechanical filter with 20 µm
- Semi-automatic drainage



## Specifications

**Inlet Connection** 1" Female BSP thread

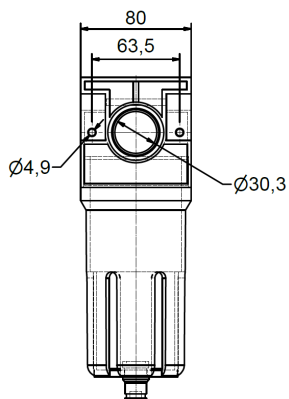
**Outlet Connection** 1" Female BSP thread

**Manometer Connection** 1" Female BSP thread

**Flow rate** 11.000 l/min

**Condensate tank volume** 170 ml

**Dimension** 80x110x235



## Ordering Information

Ordering Information	Weight KG
----------------------	-----------

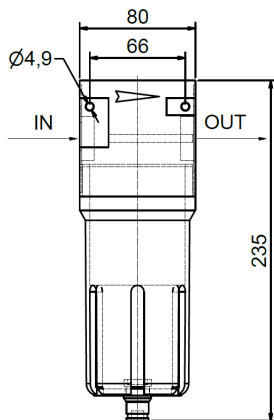
2813 9200 12	1,24
--------------	------

# FRL WS-1" f NPT



- Centrifugal acceleration of compressed air for efficient separation of dirt particles and condensate
- Filtering function upstream of the pressure reducer

- Entry pressure: 0-18 bar
- Two-stage mechanical filter with 20 µm
- Semi-automatic drainage



## Specifications

**Inlet Connection** 1" Female NPT thread

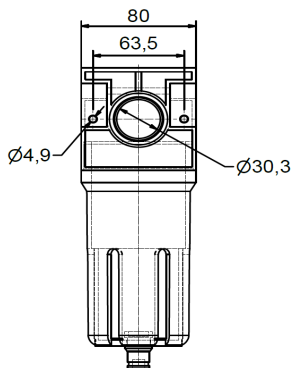
**Outlet Connection** 1" Female NPT thread

**Manometer Connection** 1" Female NPT thread

**Flow rate** 11.000 l/min

**Condensate tank volume** 170 ml

**Dimension** 80x110x235



## Ordering Information

Ordering Information	Weight KG
----------------------	-----------

2813 9200 13

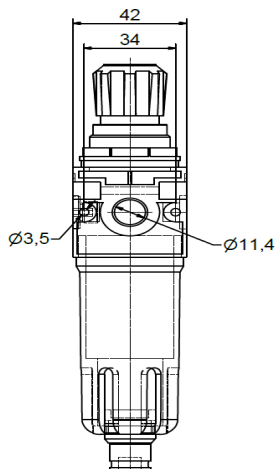
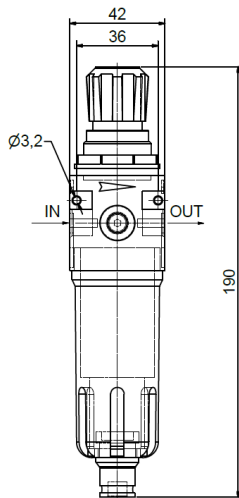
1,24

# FRL FPR-1/4"f



- Combines the technical benefits of the pressure reducer and the water separator with filter in one compact unit
- Pressure regulator with piston for high operational reliability
- Assembly independent of flow direction thanks to double-sided connection option for pressure gauge

- Working pressure range : 0-12 Bar
- Entry pressure: 0-18 bar
- Filter element: 20 µm



## Specifications

**Inlet Connection** 1/4" Female BSP thread

**Outlet Connection** 1/4" Female BSP thread

**Manometer Connection** 1/4" Female BSP thread

**Flow rate** 700 l/min

**Condensate tank volume** 10 ml

**Dimension** 42x42x190

## Ordering Information

Ordering Information	Weight KG
----------------------	-----------

2813 9200 14	0,392
--------------	-------

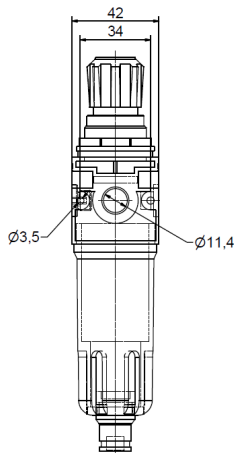
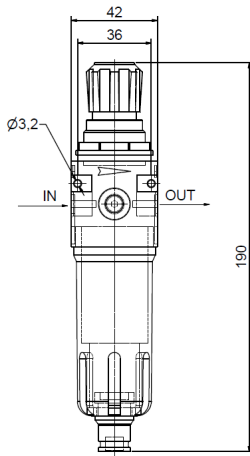


# FRL FPR-1/4" f NPT



- Combines the technical benefits of the pressure reducer and the water separator with filter in one compact unit
- Pressure regulator with piston for high operational reliability
- Assembly independent of flow direction thanks to double-sided connection option for pressure gauge

- Working pressure range : 0-12 Bar
- Entry pressure: 0-18 bar
- Filter element: 20 µm



## Specifications

**Inlet Connection** 1/4" Female NPT thread

**Outlet Connection** 1/4" Female NPT thread

**Manometer Connection** 1/4" Female NPT thread

**Flow rate** 700 l/min

**Condensate tank volume** 10 ml

**Dimension** 42x42x190

## Ordering Information

Ordering Information	Weight KG
----------------------	-----------

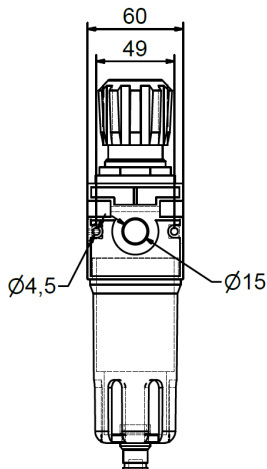
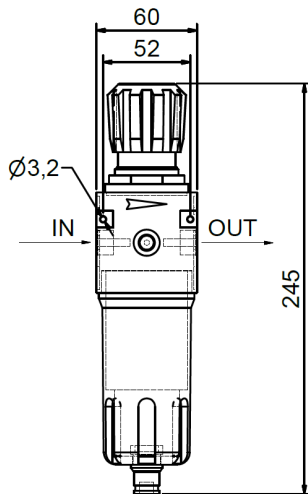
2813 9200 39	0,392
--------------	-------

# FRL FPR-3/8"f



- Combines the technical benefits of the pressure reducer and the water separator with filter in one compact unit
- Pressure regulator with piston for high operational reliability
- Assembly independent of flow direction thanks to double-sided connection option for pressure gauge

- Working pressure range : 0-12 Bar
- Entry pressure: 0-18 bar
- Filter element: 20 µm



## Specifications

**Inlet Connection** 3/8" Female BSP thread

**Outlet Connection** 3/8" Female BSP thread

**Manometer Connection** 3/8" Female BSP thread

**Flow rate** 2.500 l/min

**Condensate tank volume** 45 ml

**Dimension** 60x60x245

## Ordering Information

Ordering Information	Weight KG
----------------------	-----------

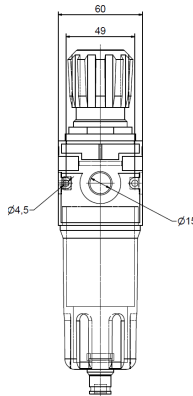
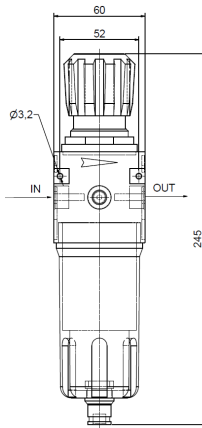
2813 9200 15	0,963
--------------	-------

# FRL FPR-3/8" f NPT



- Combines the technical benefits of the pressure reducer and the water separator with filter in one compact unit
- Pressure regulator with piston for high operational reliability
- Assembly independent of flow direction thanks to double-sided connection option for pressure gauge

- Working pressure range : 0-12 Bar
- Entry pressure: 0-18 bar
- Filter element: 20 µm



## Specifications

**Inlet Connection** 3/8" Female NPT thread

**Outlet Connection** 3/8" Female NPT thread

**Manometer Connection** 3/8" Female NPT thread

**Flow rate** 2.500 l/min

**Condensate tank volume** 45 ml

**Dimension** 60x60x245

## Ordering Information

Ordering Information	Weight KG
----------------------	-----------

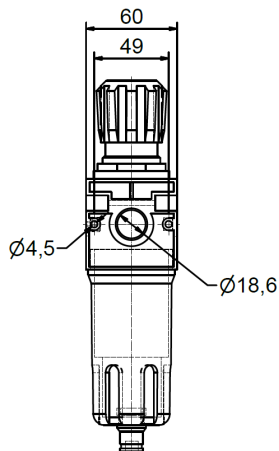
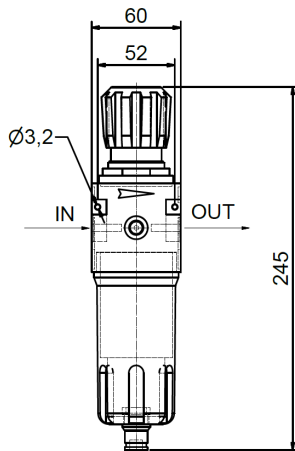
2813 9200 40	0,963
--------------	-------

# FRL FPR-1/2"f



- Combines the technical benefits of the pressure reducer and the water separator with filter in one compact unit
- Pressure regulator with piston for high operational reliability
- Assembly independent of flow direction thanks to double-sided connection option for pressure gauge

- Working pressure range : 0-12 Bar
- Entry pressure: 0-18 bar
- Filter element: 20 µm



## Specifications

**Inlet Connection** 1/2" Female BSP thread

**Outlet Connection** 1/2" Female BSP thread

**Manometer Connection** 1/2" Female BSP thread

**Flow rate** 2.500 l/min

**Condensate tank volume** 45 ml

**Dimension** 60x60x245

## Ordering Information

Ordering Information	Weight KG
----------------------	-----------

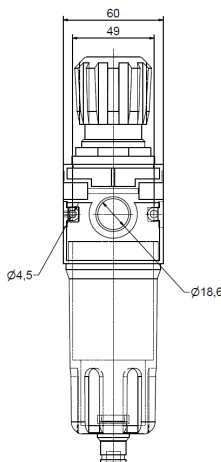
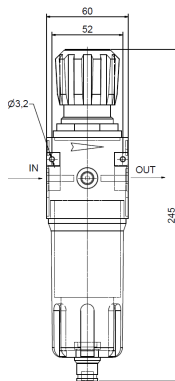
2813 9200 16	1,114
--------------	-------

# FRL FPR-1/2" f NPT



- Combines the technical benefits of the pressure reducer and the water separator with filter in one compact unit
- Pressure regulator with piston for high operational reliability
- Assembly independent of flow direction thanks to double-sided connection option for pressure gauge

- Working pressure range : 0-12 Bar
- Entry pressure: 0-18 bar
- Filter element: 20 µm



## Specifications

**Inlet Connection** 1/2" Female NPT thread

**Outlet Connection** 1/2" Female NPT thread

**Manometer Connection** 1/2" Female NPT thread

**Flow rate** 2.500 l/min

**Condensate tank volume** 45 ml

**Dimension** 60x60x245

## Ordering Information

Ordering Information	Weight KG
----------------------	-----------

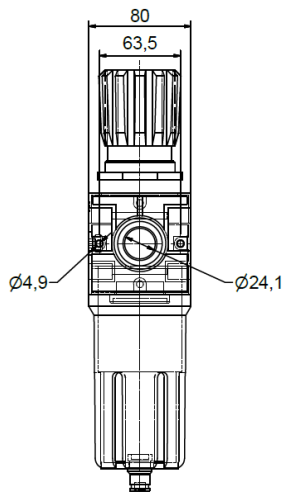
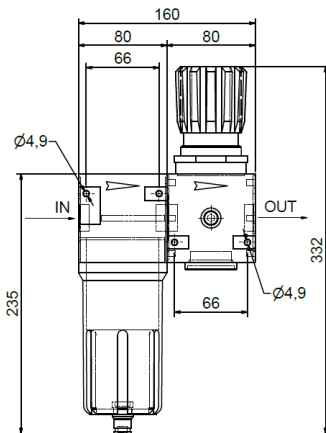
2813 9200 41	1,114
--------------	-------

# FRL FPR-3/4"f



- Combines the technical benefits of the pressure reducer and the water separator with filter in one compact unit
- Pressure regulator with piston for high operational reliability
- Assembly independent of flow direction thanks to double-sided connection option for pressure gauge

- Working pressure range : 0-12 Bar
- Entry pressure: 0-18 bar
- Filter element: 20 µm



## Specifications

**Inlet Connection** 3/4" Female BSP thread

**Outlet Connection** 3/4" Female BSP thread

**Manometer Connection** 3/4" Female BSP thread

**Flow rate** 3.600 l/min

**Condensate tank volume** 170 ml

**Dimension** 160x80x332

## Ordering Information

Ordering Information	Weight KG
----------------------	-----------

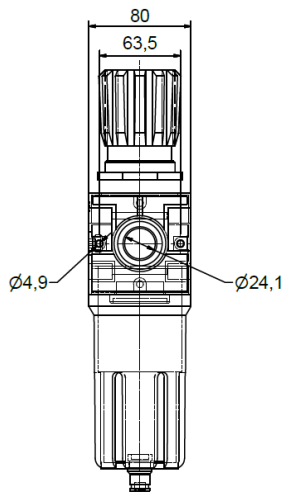
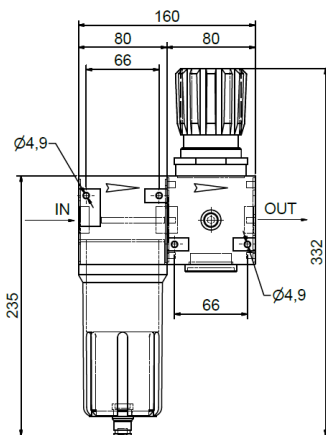
2813 9200 17	1,704
--------------	-------

# FRL FPR-3/4" f NPT



- Combines the technical benefits of the pressure reducer and the water separator with filter in one compact unit
- Pressure regulator with piston for high operational reliability
- Assembly independent of flow direction thanks to double-sided connection option for pressure gauge

- Working pressure range : 0-12 Bar
- Entry pressure: 0-18 bar
- Filter element: 20 µm



## Specifications

**Inlet Connection** 3/4" Female NPT thread

**Outlet Connection** 3/4" Female NPT thread

**Manometer Connection** 3/4" Female NPT thread

**Flow rate** 3.600 l/min

**Condensate tank volume** 170 ml

**Dimension** 160x80x332

## Ordering Information

Ordering Information	Weight KG
----------------------	-----------

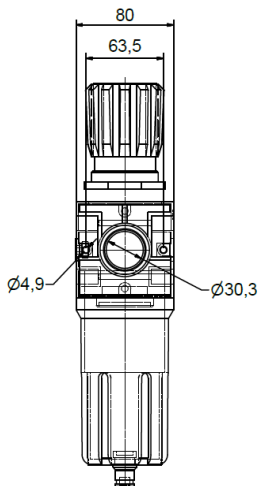
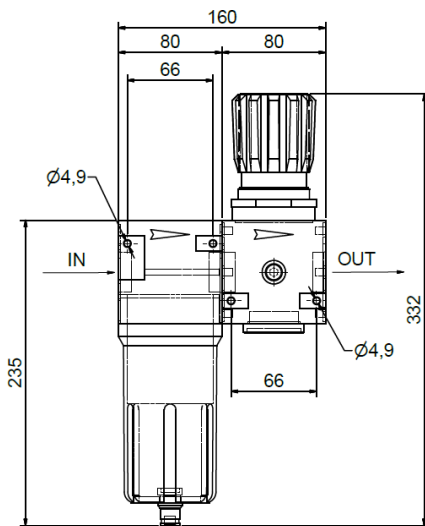
2813 9200 18	1,704
--------------	-------

## FRL FPR-1" f



- Combines the technical benefits of the pressure reducer and the water separator with filter in one compact unit
- Pressure regulator with piston for high operational reliability
- Assembly independent of flow direction thanks to double-sided connection option for pressure gauge

- Working pressure range : 0-12 Bar
- Entry pressure: 0-18 bar
- Filter element: 20 µm



### Specifications

**Inlet Connection** 1" Female BSP thread

**Outlet Connection** 1" Female BSP thread

**Manometer Connection** 1" Female BSP thread

**Flow rate** 3.700 l/min

**Condensate tank volume** 170 ml

**Dimension** 160x80x332

### Ordering Information

Ordering Information	Weight KG
----------------------	-----------

2813 9200 19	1,647
--------------	-------

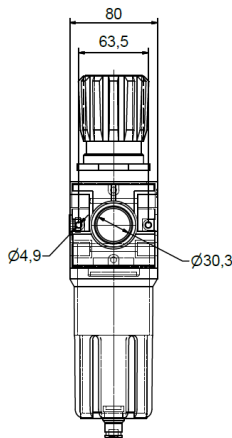
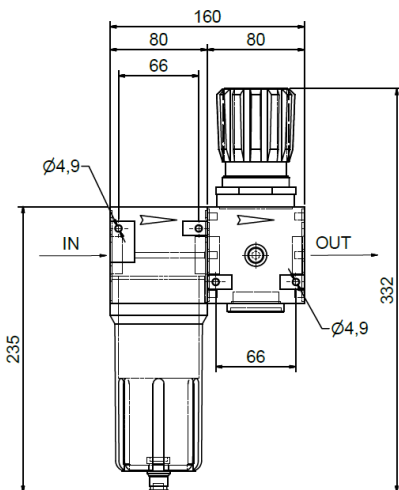


# FRL FPR-1" f NPT



- Combines the technical benefits of the pressure reducer and the water separator with filter in one compact unit
- Pressure regulator with piston for high operational reliability
- Assembly independent of flow direction thanks to double-sided connection option for pressure gauge

- Working pressure range : 0-12 Bar
- Entry pressure: 0-18 bar
- Filter element: 20 µm



## Specifications

**Inlet Connection** 1" Female NPT thread

**Outlet Connection** 1" Female NPT thread

**Manometer Connection** 1" Female NPT thread

**Flow rate** 3.700 l/min

**Condensate tank volume** 170 ml

**Dimension** 160x80x332

## Ordering Information

Ordering Information	Weight KG
----------------------	-----------

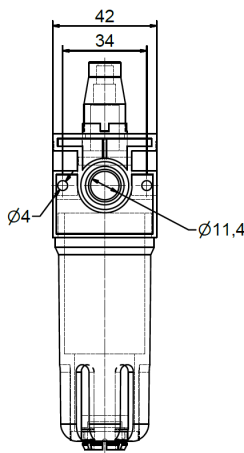
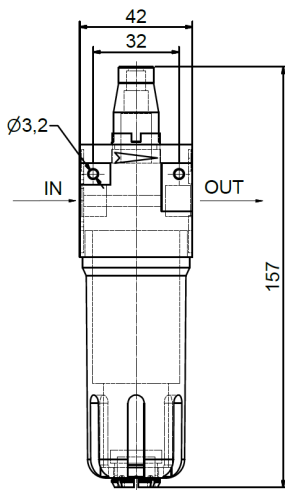
2813 9200 20	1,647
--------------	-------

# FRL MO-1/4"f



- Regular oil flow for efficient supply to tools
- Proportional adjustment of the oil supply to the air flow rate for optimal lubrication possible, even at low pressures and low air flow rates
- Oil purification downstream of the filter pressure reducer

- Working pressure range : 0-12 Bar
- Entry pressure: 0-18 bar
- Sight glass for oil



## Specifications

**Inlet Connection** 1/4" Female BSP thread

**Outlet Connection** 1/4" Female BSP thread

**Manometer Connection** 1/4" Female BSP thread

**Flow rate** 1.100 l/min

**Oil tank volume** 50 ml

**Dimension** 42x42x156

## Ordering Information

Ordering Information	Weight KG
----------------------	-----------

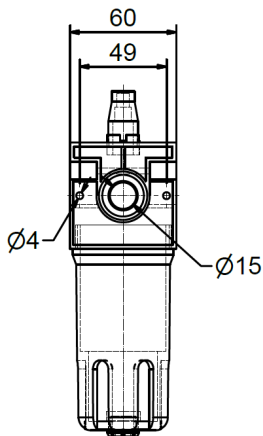
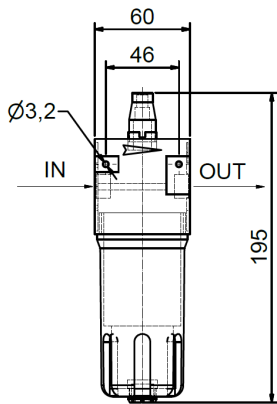
2813 9200 21	0,33
--------------	------

# FRL MO-3/8"f



- Regular oil flow for efficient supply to tools
- Proportional adjustment of the oil supply to the air flow rate for optimal lubrication possible, even at low pressures and low air flow rates
- Oil purification downstream of the filter pressure reducer

- Working pressure range : 0-12 Bar
- Entry pressure: 0-18 bar
- Sight glass for oil



## Specifications

**Inlet Connection** 3/8" Female BSP thread

**Outlet Connection** 3/8" Female BSP thread

**Manometer Connection** 3/8" Female BSP thread

**Flow rate** 4.300 l/min

**Oil tank volume** 150 ml

**Dimension** 60x60x195

## Ordering Information

Ordering Information	Weight KG
----------------------	-----------

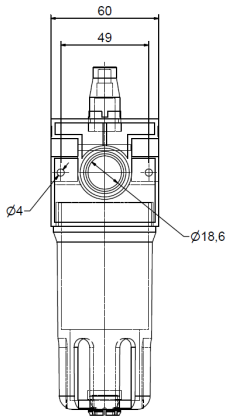
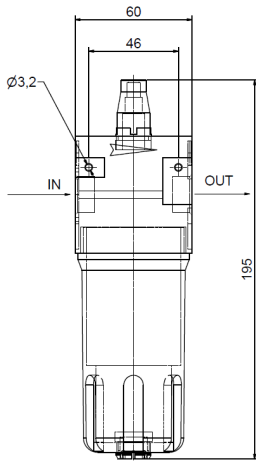
2813 9200 22	0,819
--------------	-------

# FRL MO-1/2"f



- Regular oil flow for efficient supply to tools
- Proportional adjustment of the oil supply to the air flow rate for optimal lubrication possible, even at low pressures and low air flow rates
- Oil purification downstream of the filter pressure reducer

- Working pressure range : 0-12 Bar
- Entry pressure: 0-18 bar
- Sight glass for oil



## Specifications

**Inlet Connection** 1/2" Female BSP thread

**Outlet Connection** 1/2" Female BSP thread

**Manometer Connection** 1/2" Female BSP thread

**Flow rate** 4.300 l/min

**Oil tank volume** 150 ml

**Dimension** 60x60x195

## Ordering Information

Ordering Information	Weight KG
----------------------	-----------

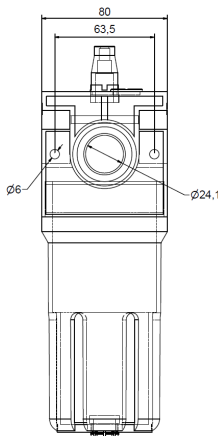
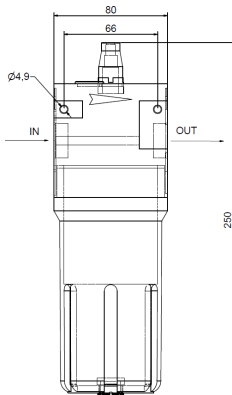
2813 9200 23	0,8
--------------	-----

# FRL MO-3/4"f



- Regular oil flow for efficient supply to tools
- Proportional adjustment of the oil supply to the air flow rate for optimal lubrication possible, even at low pressures and low air flow rates
- Oil purification downstream of the filter pressure reducer

- Working pressure range : 0-12 Bar
- Entry pressure: 0-18 bar
- Sight glass for oil



## Specifications

**Inlet Connection** 3/4" Female BSP thread

**Outlet Connection** 3/4" Female BSP thread

**Manometer Connection** 3/4" Female BSP thread

**Flow rate** 16.000 l/min

**Oil tank volume** 380 ml

**Dimension** 80x80x260

## Ordering Information

Ordering Information	Weight KG
----------------------	-----------

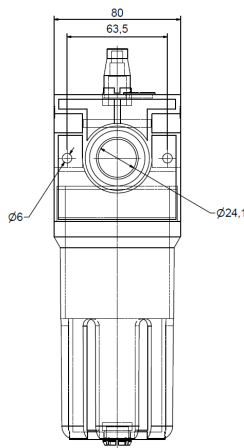
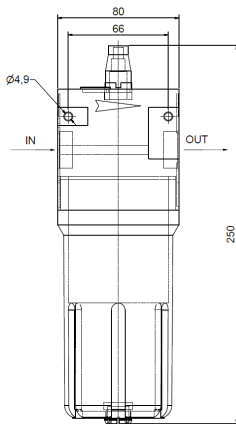
2813 9200 24	1,223
--------------	-------

# FRL MO-3/4" f NPT



- Regular oil flow for efficient supply to tools
- Proportional adjustment of the oil supply to the air flow rate for optimal lubrication possible, even at low pressures and low air flow rates
- Oil purification downstream of the filter pressure reducer

- Entry pressure: 0-18 bar
- Sight glass for oil



## Specifications

**Inlet Connection** 3/4" Female NPT thread

**Outlet Connection** 3/4" Female NPT thread

**Manometer Connection** 3/4" Female NPT thread

**Flow rate** 16.000 l/min

**Oil tank volume** 380 ml

**Dimension** 80x80x260

## Ordering Information

Ordering Information	Weight KG
----------------------	-----------

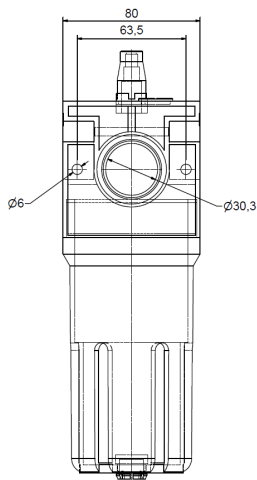
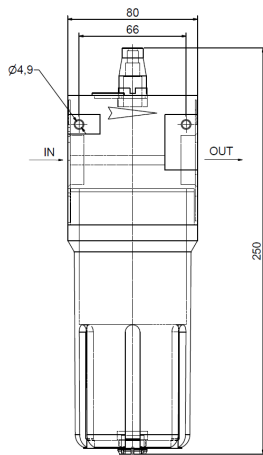
2813 9200 45	1,223
--------------	-------

# FRL MO-1" f



- Regular oil flow for efficient supply to tools
- Proportional adjustment of the oil supply to the air flow rate for optimal lubrication possible, even at low pressures and low air flow rates
- Oil purification downstream of the filter pressure reducer

- Working pressure range : 0-12 Bar
- Entry pressure: 0-18 bar
- Sight glass for oil



## Specifications

**Inlet Connection** 1" Female BSP thread

**Outlet Connection** 1" Female BSP thread

**Manometer Connection** 1" Female BSP thread

**Flow rate** 16.000 l/min

**Oil tank volume** 380 ml

**Dimension** 80x80x260

## Ordering Information

Ordering Information	Weight KG
----------------------	-----------

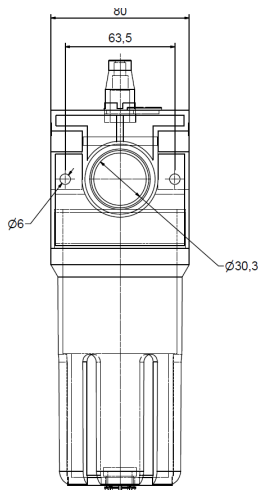
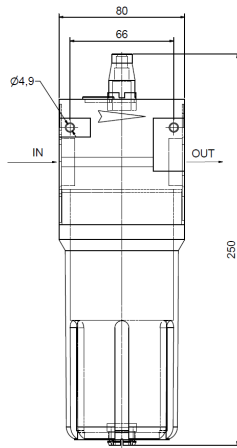
2813 9200 25	1,126
--------------	-------

# FRL MO-1" f NPT



- Regular oil flow for efficient supply to tools
- Proportional adjustment of the oil supply to the air flow rate for optimal lubrication possible, even at low pressures and low air flow rates
- Oil purification downstream of the filter pressure reducer

- Entry pressure: 0-18 bar
- Sight glass for oil



## Specifications

**Inlet Connection** 1" Female NPT thread

**Outlet Connection** 1" Female NPT thread

**Manometer Connection** 1" Female NPT thread

**Flow rate** 16.000 l/min

**Oil tank volume** 380 ml

**Dimension** 80x80x260

## Ordering Information

Ordering Information	Weight KG
----------------------	-----------

2813 9200 46	1,126
--------------	-------

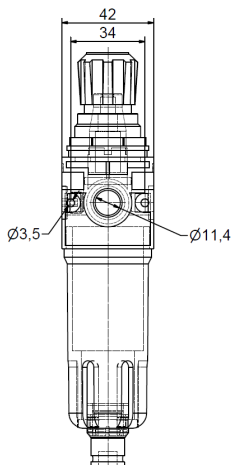
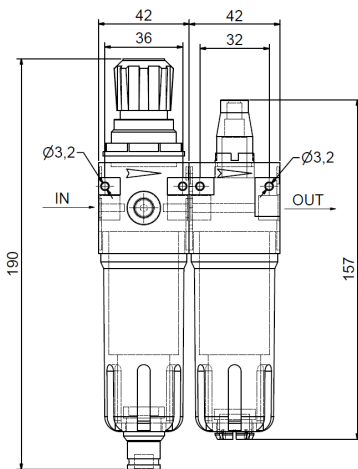


## FRL FPR-MO 1/4"f



- Fully fitted maintenance system consisting of filter pressure reducer and mist oiler (2-way filter unit) or filter water separator, pressure reducer and mist oiler (3-way filter unit) ready for immediate operation
- Pressure regulator with piston for high operational reliability

- Working pressure range : 0-12 Bar
- Entry pressure: 0-18 bar
- Filter element: 20 µm
- With lockable adjustment button



### Specifications

<b>Inlet Connection</b>	1/4" Female BSP thread
<b>Outlet Connection</b>	1/4" Female BSP thread
<b>Manometer Connection</b>	1/4" Female BSP thread
<b>Flow rate</b>	500 l/min
<b>Condensate tank volume</b>	10 ml
<b>Oil tank volume</b>	50 ml
<b>Dimension</b>	84x42x190

### Ordering Information

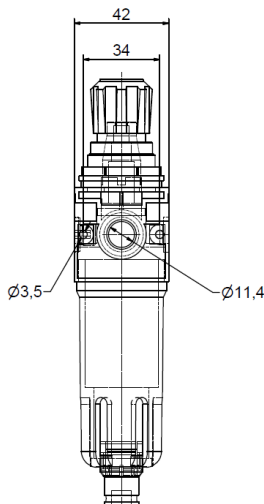
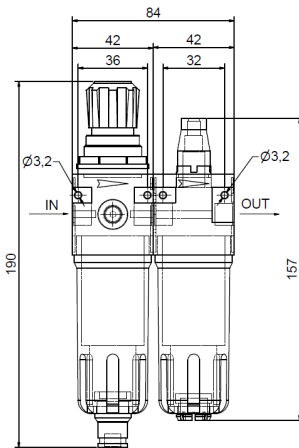
Ordering Information	Weight KG
2813 9200 26	0,716

# FRL FPR-MO 1/4" f NPT



- Fully fitted maintenance system consisting of filter pressure reducer and mist oiler (2-way filter unit) or filter water separator, pressure reducer and mist oiler (3-way filter unit) ready for immediate operation
- Pressure regulator with piston for high operational reliability

- Working pressure range : 0-12 Bar
- Entry pressure: 0-18 bar
- Filter element: 20 µm
- With lockable adjustment button



## Specifications

<b>Inlet Connection</b>	1/4" Female NPT thread
<b>Outlet Connection</b>	1/4" Female NPT thread
<b>Manometer Connection</b>	1/4" Female NPT thread
<b>Flow rate</b>	500 l/min
<b>Condensate tank volume</b>	10 ml
<b>Oil tank volume</b>	50 ml
<b>Dimension</b>	84x42x190

## Ordering Information

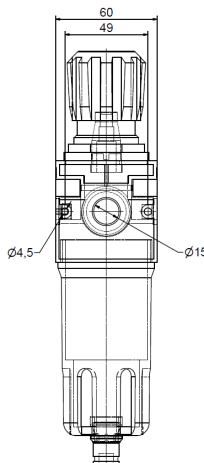
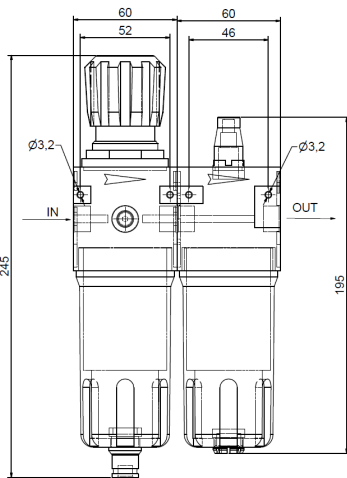
Ordering Information	Weight KG
2813 9200 47	0,716

# FRL FPR-MO 3/8"f



- Fully fitted maintenance system consisting of filter pressure reducer and mist oiler (2-way filter unit) or filter water separator, pressure reducer and mist oiler (3-way filter unit) ready for immediate operation
- Pressure regulator with piston for high operational reliability

- Working pressure range : 0-12 Bar
- Entry pressure: 0-18 bar
- Filter element: 20 µm
- With lockable adjustment button



## Specifications

<b>Inlet Connection</b>	3/8" Female BSP thread
<b>Outlet Connection</b>	3/8" Female BSP thread
<b>Manometer Connection</b>	3/8" Female BSP thread
<b>Flow rate</b>	2.200 l/min
<b>Condensate tank volume</b>	45 ml
<b>Oil tank volume</b>	150 ml
<b>Dimension</b>	120x60x245

## Ordering Information

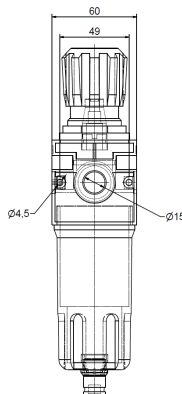
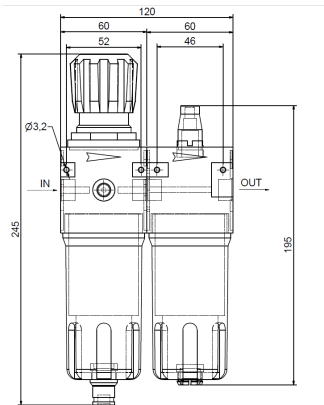
Ordering Information	Weight KG
2813 9200 27	1,434

# FRL FPR-MO 3/8" f NPT



- Fully fitted maintenance system consisting of filter pressure reducer and mist oiler (2-way filter unit) or filter water separator, pressure reducer and mist oiler (3-way filter unit) ready for immediate operation
- Pressure regulator with piston for high operational reliability

- Working pressure range : 0-12 Bar
- Entry pressure: 0-18 bar
- Filter element: 20 µm
- With lockable adjustment button



## Specifications

**Inlet Connection** 3/8" Female NPT thread

**Outlet Connection** 3/8" Female NPT thread

**Manometer Connection** 3/8" Female NPT thread

**Flow rate** 2.200 l/min

**Condensate tank volume** 45 ml

**Oil tank volume** 150 ml

**Dimension** 120x60x245

## Ordering Information

Ordering Information	Weight KG
----------------------	-----------

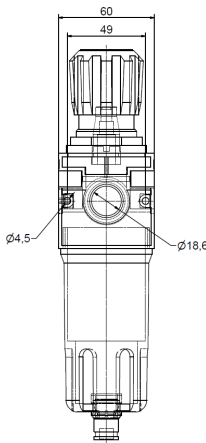
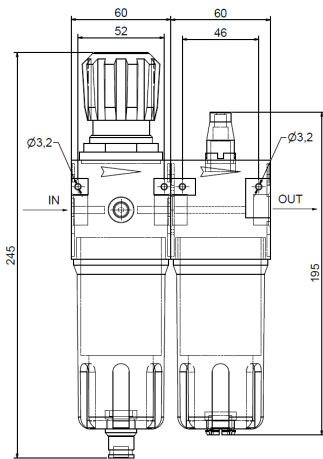
2813 9200 48	1,434
--------------	-------

# FRL FPR-MO 1/2" f



- Fully fitted maintenance system consisting of filter pressure reducer and mist oiler (2-way filter unit) or filter water separator, pressure reducer and mist oiler (3-way filter unit) ready for immediate operation
- Pressure regulator with piston for high operational reliability

- Working pressure range : 0-12 Bar
- Entry pressure: 0-18 bar
- Filter element: 20 µm
- With lockable adjustment button



## Specifications

**Inlet Connection** 1/2" Female BSP thread

**Outlet Connection** 1/2" Female BSP thread

**Manometer Connection** 1/2" Female BSP thread

**Flow rate** 2.200 l/min

**Condensate tank volume** 45 ml

**Oil tank volume** 150 ml

**Dimension** 120x60x245

## Ordering Information

**Ordering Information** Weight KG

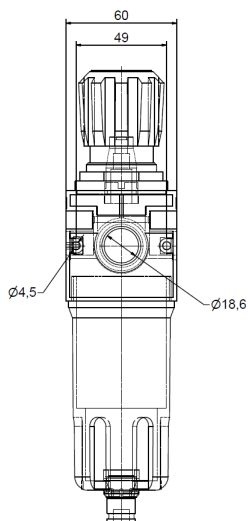
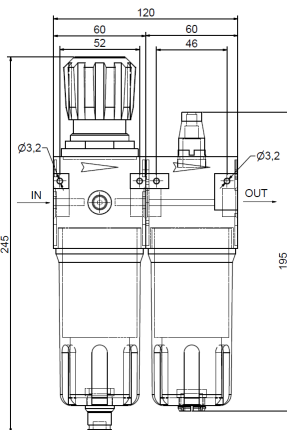
**2813 9200 28** 1,412

# FRL FPR-MO 1/2" f NPT



- Fully fitted maintenance system consisting of filter pressure reducer and mist oiler (2-way filter unit) or filter water separator, pressure reducer and mist oiler (3-way filter unit) ready for immediate operation
- Pressure regulator with piston for high operational reliability

- Working pressure range : 0-12 Bar
- Entry pressure: 0-18 bar
- Filter element: 20 µm
- With lockable adjustment button



## Specifications

<b>Inlet Connection</b>	1/2" Female NPT thread
<b>Outlet Connection</b>	1/2" Female NPT thread
<b>Manometer Connection</b>	1/2" Female NPT thread
<b>Flow rate</b>	2.200 l/min
<b>Condensate tank volume</b>	45 ml
<b>Oil tank volume</b>	150 ml
<b>Dimension</b>	120x60x245

## Ordering Information

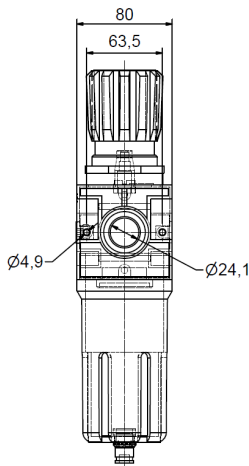
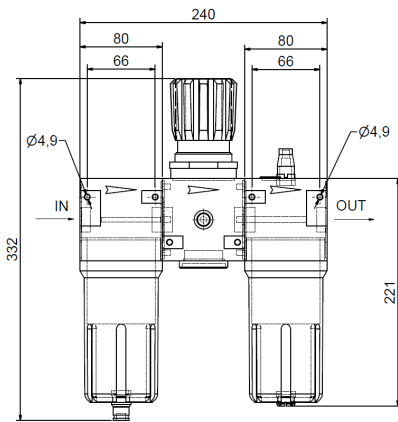
Ordering Information	Weight KG
2813 9200 48	1,412

# FRL FPR-MO 3/4"f



- Fully fitted maintenance system consisting of filter pressure reducer and mist oiler (2-way filter unit) or filter water separator, pressure reducer and mist oiler (3-way filter unit) ready for immediate operation
- Pressure regulator with piston for high operational reliability

- Working pressure range : 0-12 Bar
- Entry pressure: 0-18 bar
- Filter element: 20 µm
- With lockable adjustment button



## Specifications

**Inlet Connection** 3/4" Female BSP thread

**Outlet Connection** 3/4" Female BSP thread

**Manometer Connection** 3/4" Female BSP thread

**Flow rate** 3.600 l/min

**Condensate tank volume** 170 ml

**Oil tank volume** 380 ml

**Dimension** 240x80x332

## Ordering Information

Ordering Information	Weight KG
----------------------	-----------

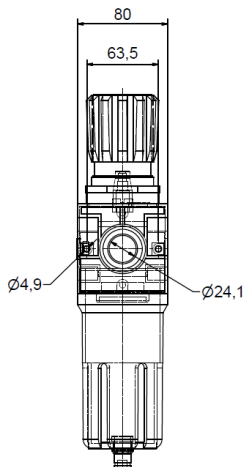
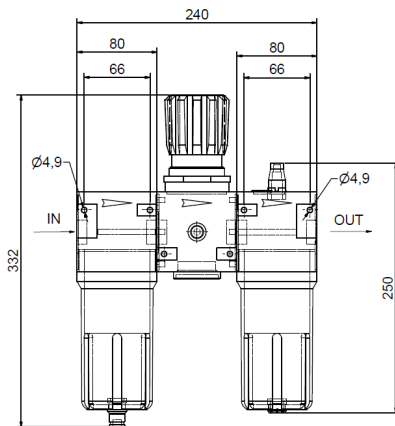
2813 9200 29	2,493
--------------	-------

# FRL FPR-MO 3/4" f NPT



- Fully fitted maintenance system consisting of filter pressure reducer and mist oiler (2-way filter unit) or filter water separator, pressure reducer and mist oiler (3-way filter unit) ready for immediate operation
- Pressure regulator with piston for high operational reliability

- Working pressure range : 0-12 Bar
- Entry pressure: 0-18 bar
- Filter element: 20 µm
- With lockable adjustment button



## Specifications

**Inlet Connection** 3/4" Female NPT thread

**Outlet Connection** 3/4" Female NPT thread

**Manometer Connection** 3/4" Female NPT thread

**Flow rate** 3.600 l/min

**Condensate tank volume** 170 ml

**Oil tank volume** 380 ml

**Dimension** 240x80x332

## Ordering Information

Ordering Information	Weight KG
----------------------	-----------

2813 9200 30	2,493
--------------	-------

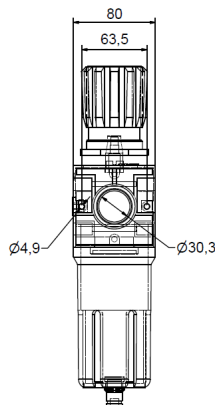
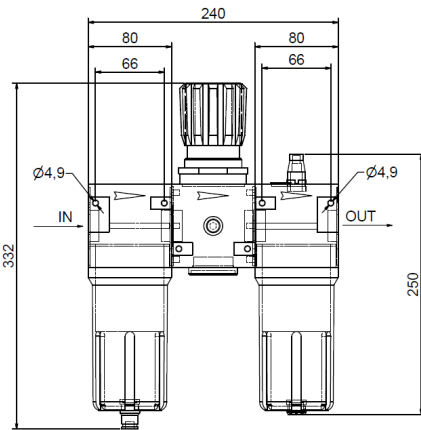


## FRL FPR-MO 1" f



- Fully fitted maintenance system consisting of filter pressure reducer and mist oiler (2-way filter unit) or filter water separator, pressure reducer and mist oiler (3-way filter unit) ready for immediate operation
- Pressure regulator with piston for high operational reliability

- Working pressure range : 0-12 Bar
- Entry pressure: 0-18 bar
- Filter element: 20 µm
- With lockable adjustment button



### Specifications

**Inlet Connection** 1" Female BSP thread

**Outlet Connection** 1" Female BSP thread

**Manometer Connection** 1" Female BSP thread

**Flow rate** 3.700 l/min

**Condensate tank volume** 170 ml

**Oil tank volume** 380 ml

**Dimension** 240x80x332

### Ordering Information

Ordering Information	Weight KG
----------------------	-----------

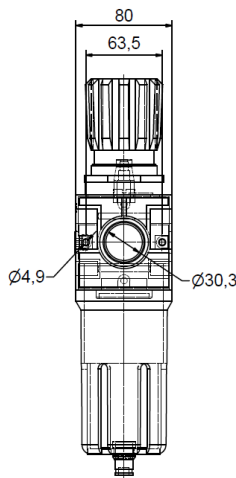
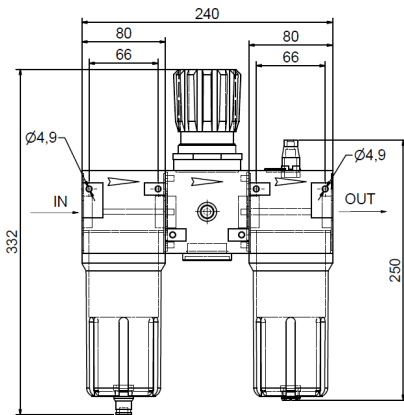
2813 9200 31	2,340
--------------	-------

# FRL FPR-MO 1" f NPT



- Fully fitted maintenance system consisting of filter pressure reducer and mist oiler (2-way filter unit) or filter water separator, pressure reducer and mist oiler (3-way filter unit) ready for immediate operation
- Pressure regulator with piston for high operational reliability

- Working pressure range : 0-12 Bar
- Entry pressure: 0-18 bar
- Filter element: 20 µm
- With lockable adjustment button



## Specifications

**Inlet Connection** 1" Female NPT thread

**Outlet Connection** 1" Female NPT thread

**Manometer Connection** 1" Female NPT thread

**Flow rate** 3.700 l/min

**Condensate tank volume** 170 ml

**Oil tank volume** 380 ml

**Dimension** 240x80x332

## Ordering Information

Ordering Information	Weight KG
----------------------	-----------

2813 9200 32	2,340
--------------	-------



We do not accept any liability for errors, printing errors or any changes made to the technical specifications..

*FAST / EASY / RELIABLE*